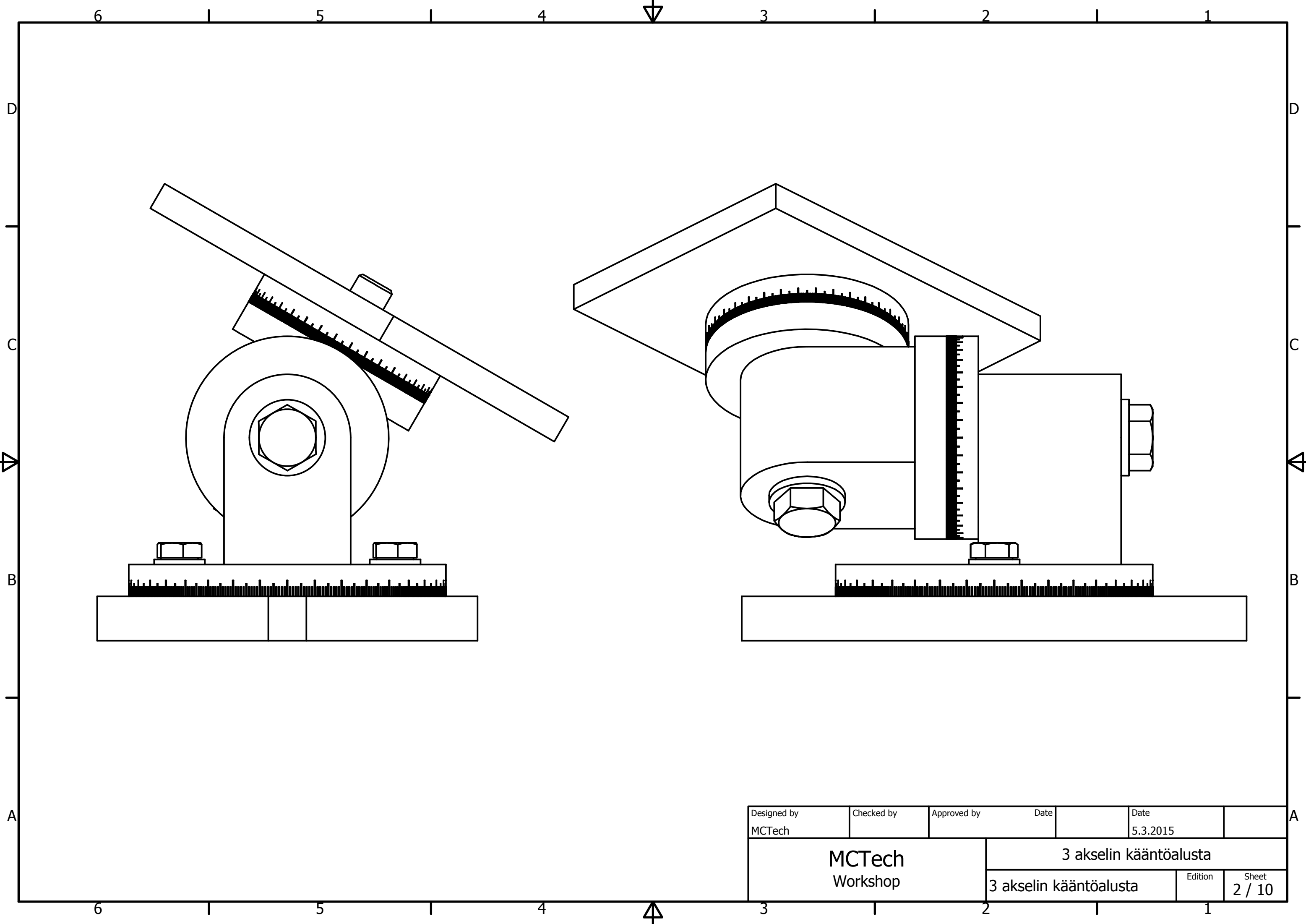
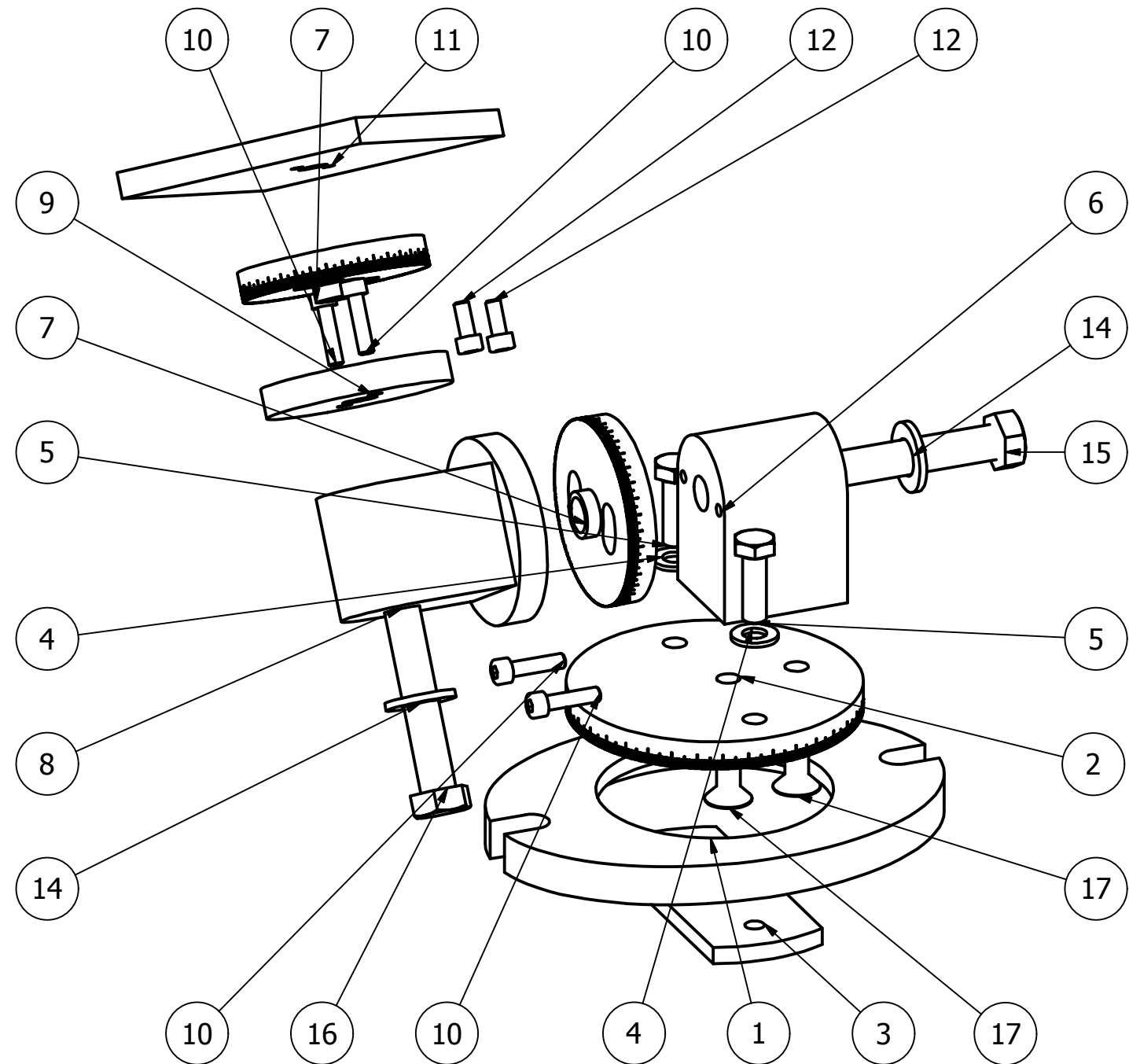


Designed by MCTech	Checked by	Approved by	Date	Date 5.3.2015	
MCTech Workshop			3 akselin kääntöalusta		
			3 akselin kääntöalusta	Edition	Sheet 1 / 10

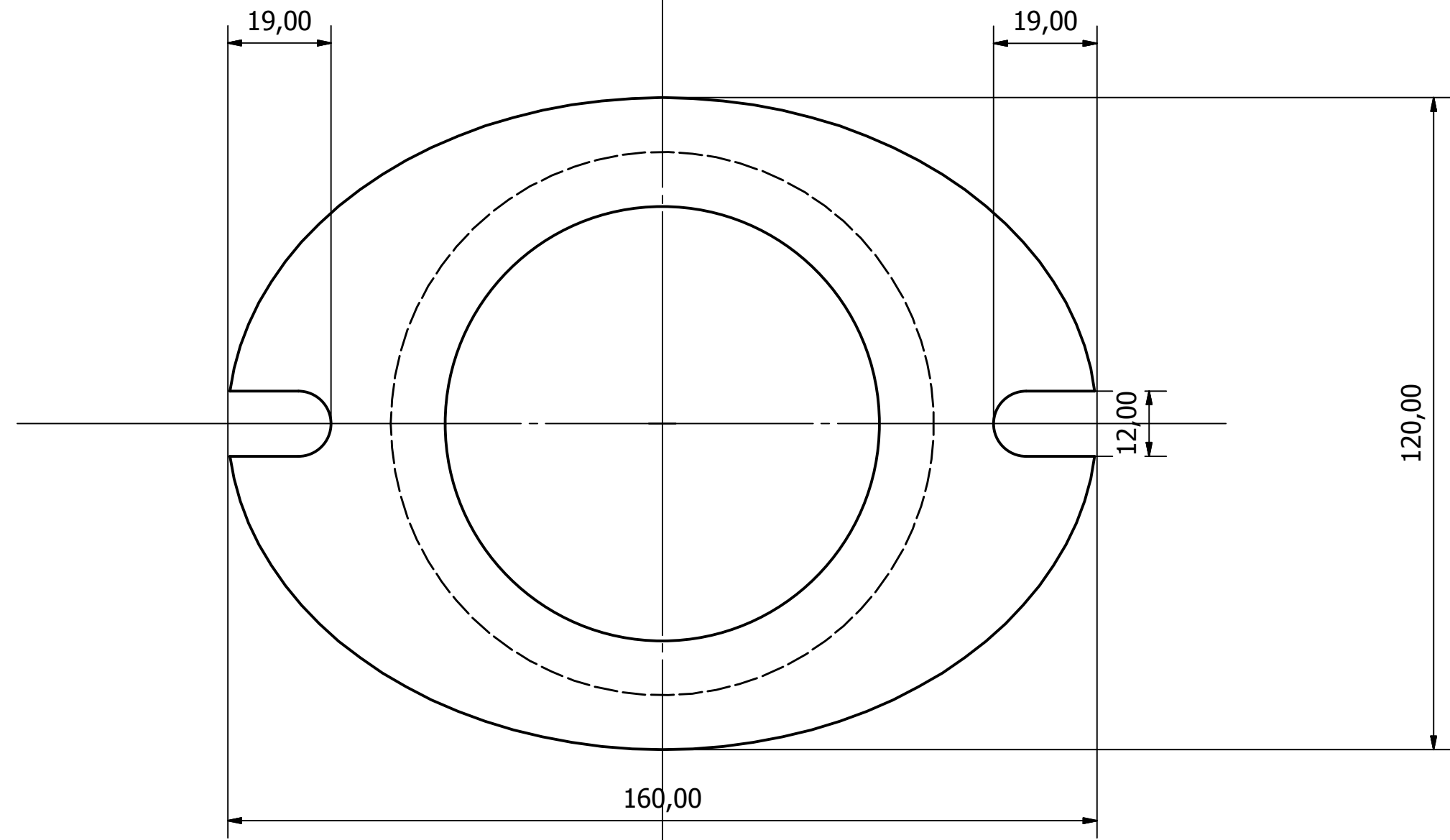
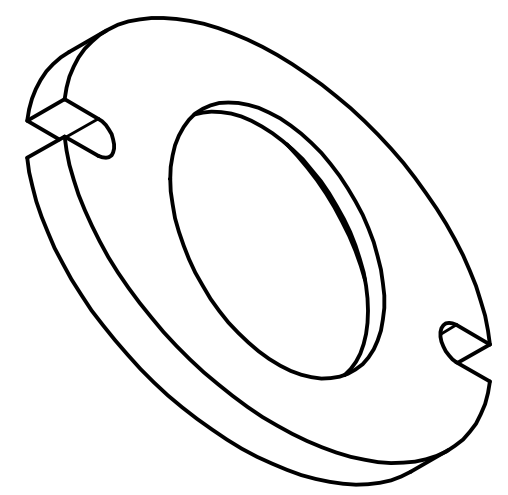
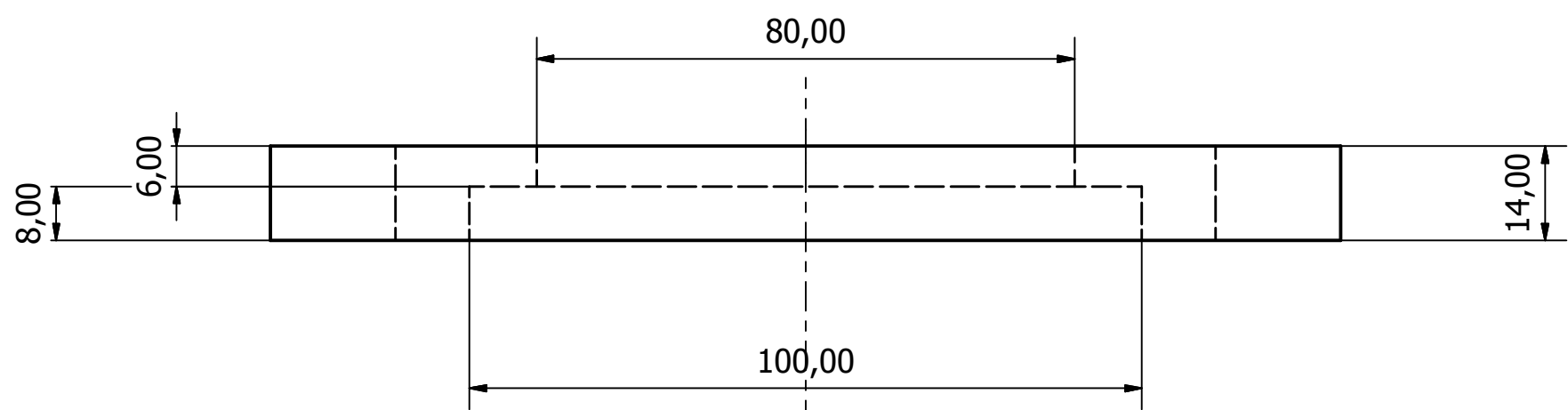


Designed by MCTech	Checked by	Approved by	Date	Date 5.3.2015	
MCTech Workshop			3 akselin kääntöalusta		
			3 akselin kääntöalusta	Edition	Sheet 2 / 10

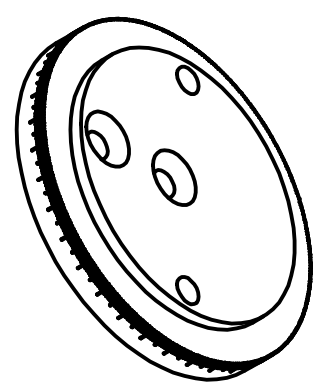
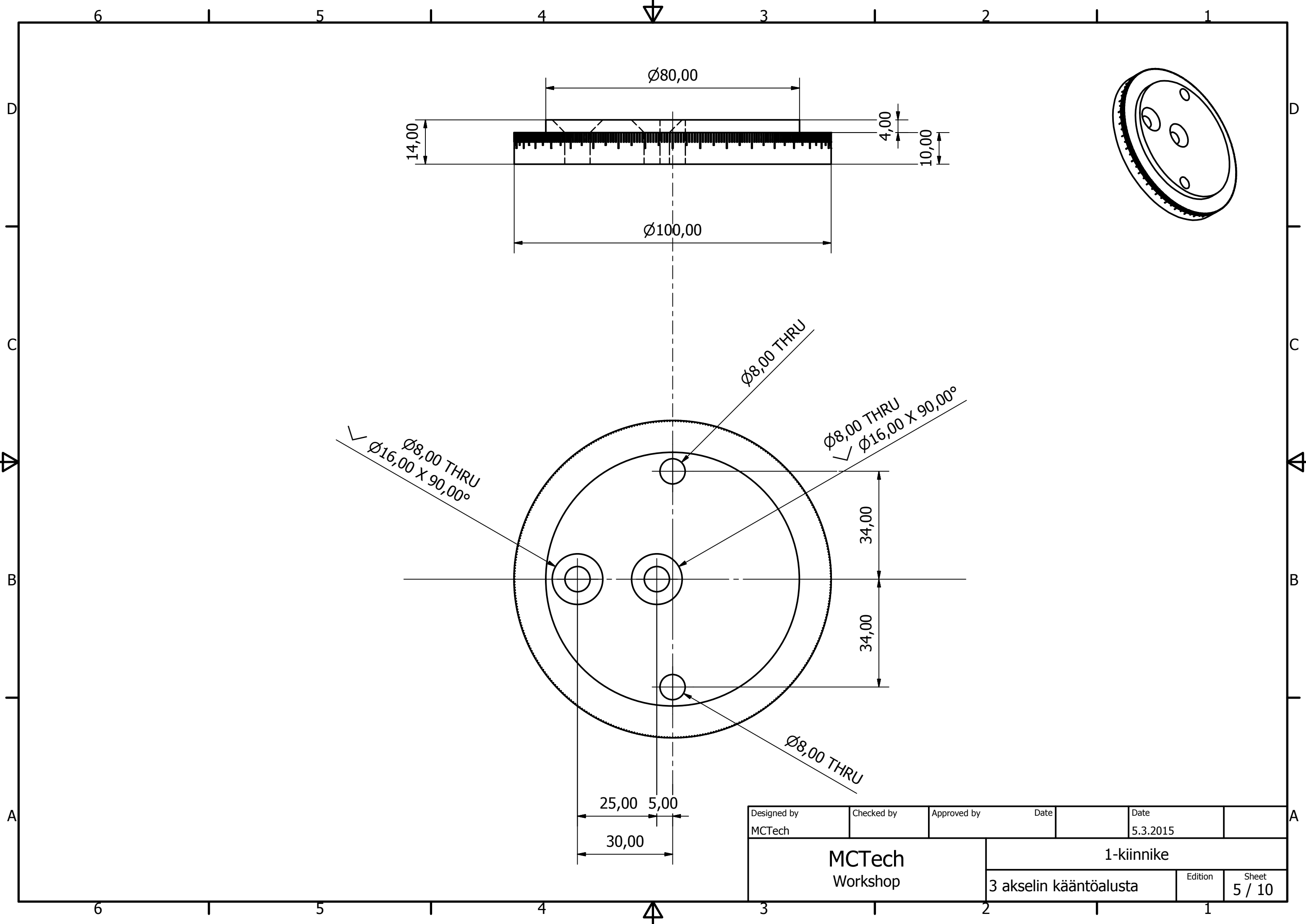
PARTS LIST			
ITEM	QTY	PART NUMBER	DESCRIPTION
1	1	pohja	
2	1	1-kiinnike	
3	1	pyörityskiristin	
4	2	DIN 125 - A 8,4	Washer
5	2	ISO 8676 - M8 x 1 x 25	Hex-Head Bolt
6	1	1-tolppa	
7	2	1-mittarengas	
8	1	2-tolppa	
9	1	2-osoitinrenkas	
10	4	ISO 4762 - M5 x 20	Hexagon Socket Head Cap Screw
11	1	puristinkiinnitin	
12	2	ISO 4762 - M5 x 12	Hexagon Socket Head Cap Screw
13	1	puristinUUSI	
14	2	DIN 125 - A 13	Washer
15	1	DIN EN ISO 4016 - M12x90	Hexagon head bolts. Product grade C
16	1	DIN EN ISO 4016 - M12x80	Hexagon head bolts. Product grade C
17	2	DIN 7991 - M8x25	Hexagon socket countersunk head cap screws



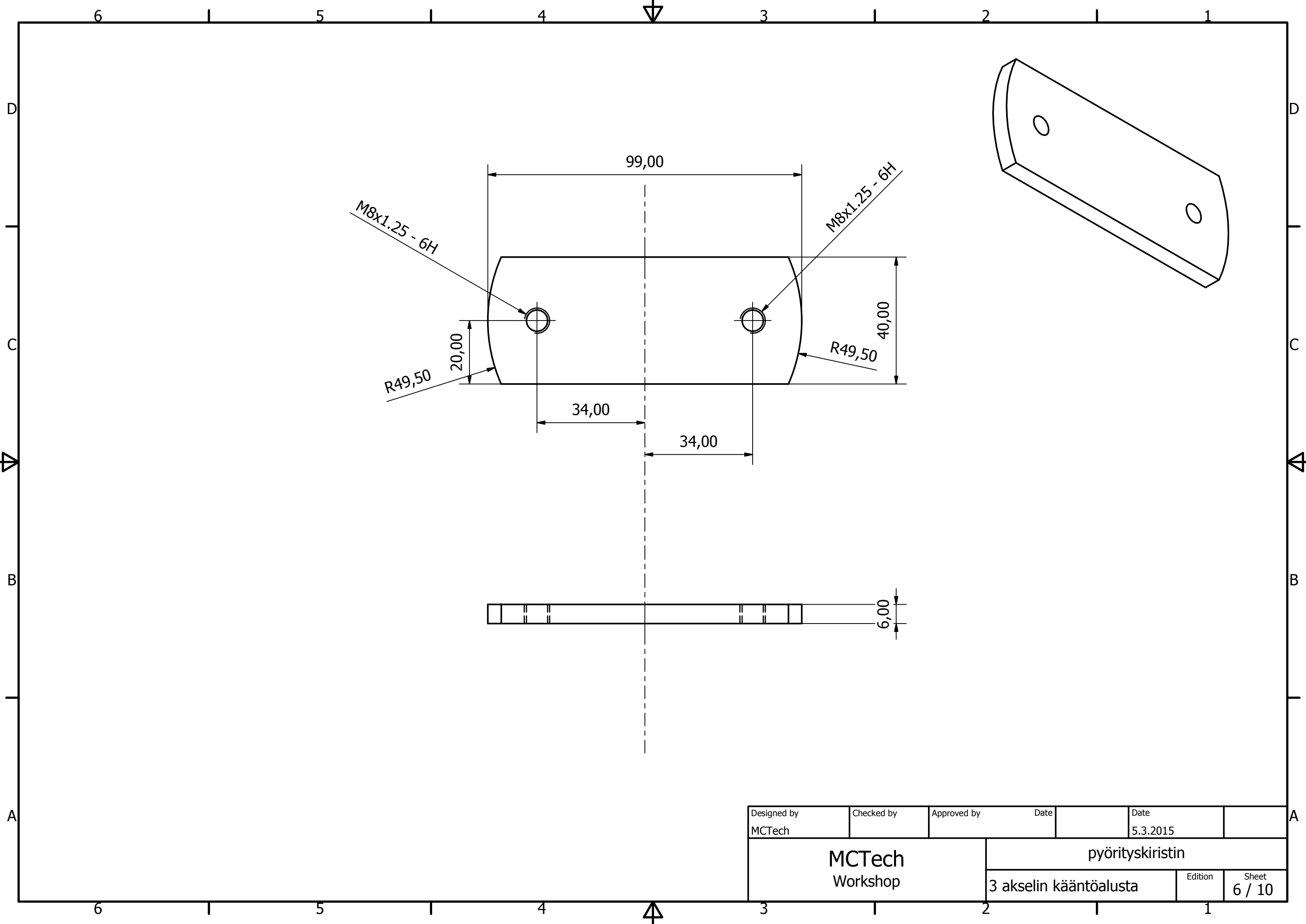
Designed by MCTech	Checked by	Approved by	Date	Date 5.3.2015	
MCTech Workshop			3 akselin kääntöalusta		
			3 akselin kääntöalusta	Edition	Sheet 3 / 10



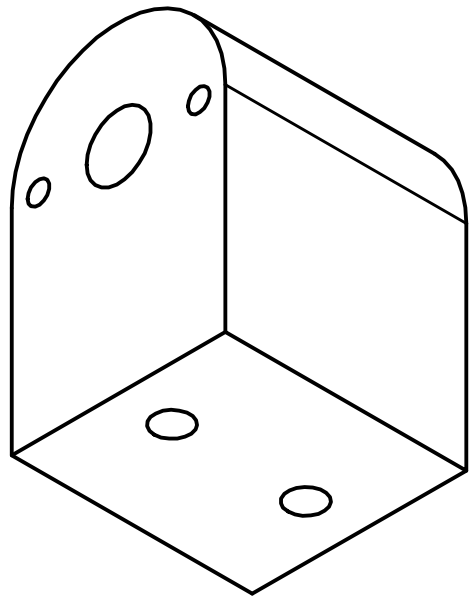
Designed by MCTech	Checked by	Approved by	Date	Date 5.3.2015	
MCTech Workshop			pohja		
			3 akselin kääntöalusta	Edition	Sheet 4 / 10



Designed by MCTech	Checked by	Approved by	Date	Date 5.3.2015	
MCTech Workshop			1-kiinnike		
			3 akselin kääntöalusta	Edition	Sheet 5 / 10

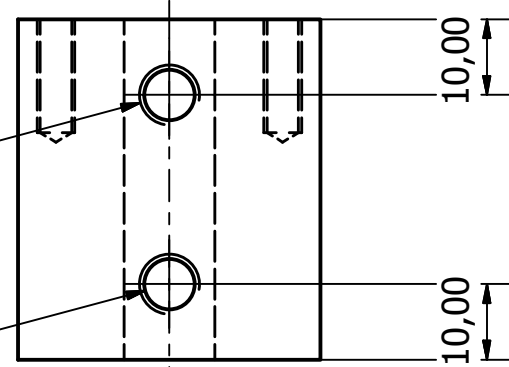


Designed by MCTech	Checked by	Approved by	Date	Date 5.3.2015	
MCTech Workshop			pyörityskiristin		
			3 akselin kääntöalusta	Edition	Sheet 6 / 10



M8x1.25 - 6H - 25,00

M8x1.25 - 6H - 25,00



M5x0.8 - 6H - 15,00

M5x0.8 - 6H - 15,00

5,00 30,00 5,00

R20,00

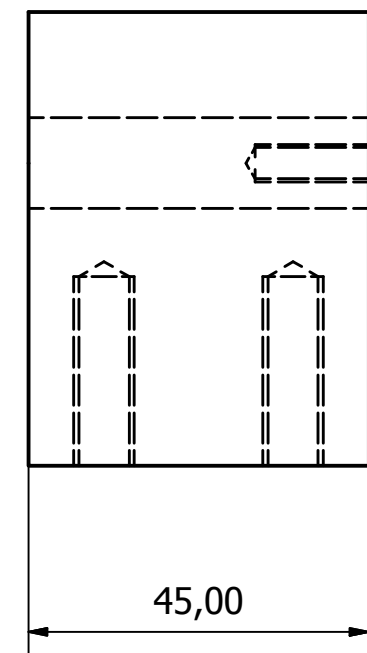
Ø12,00 THRU

60,00

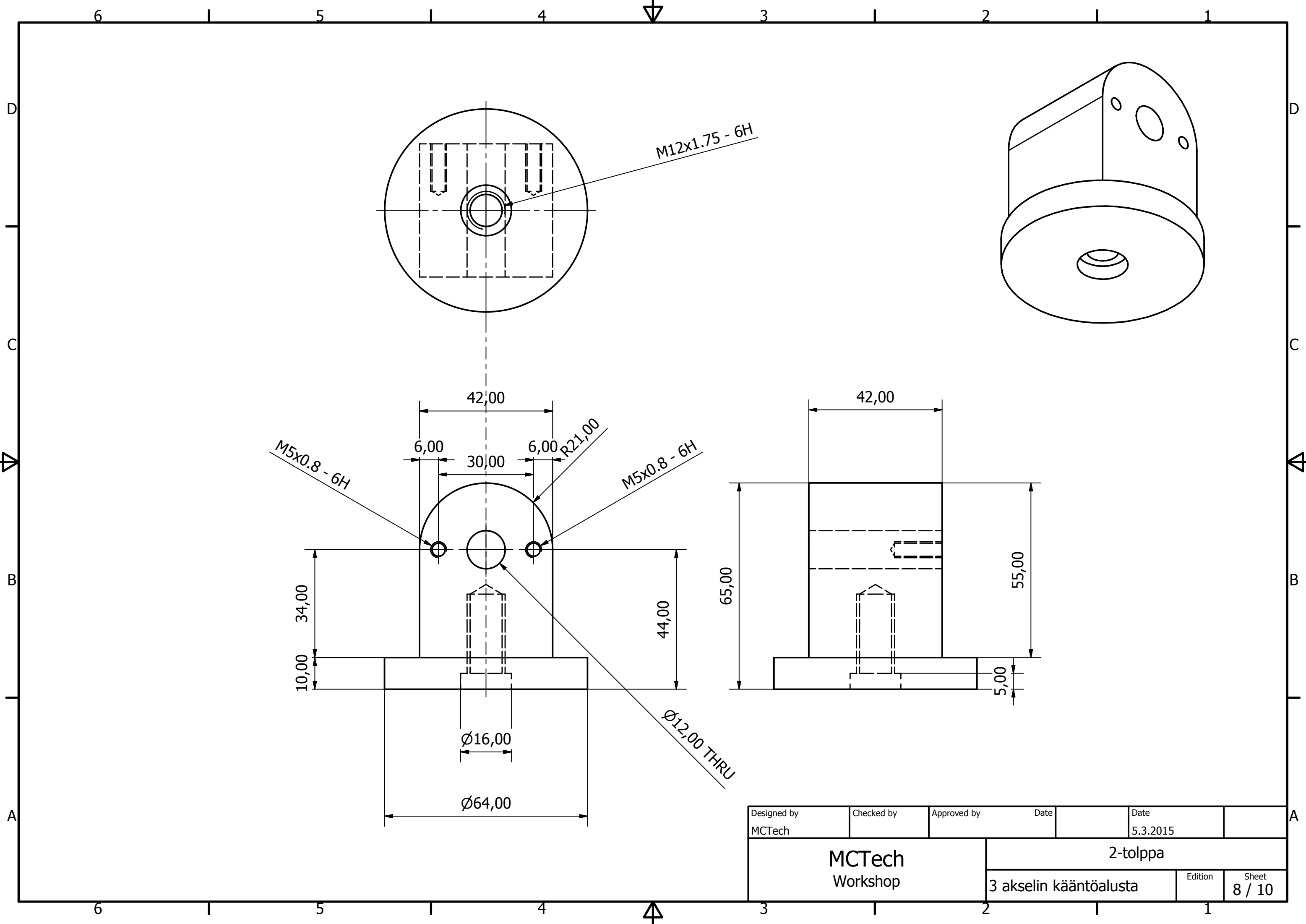
40,00

40,00

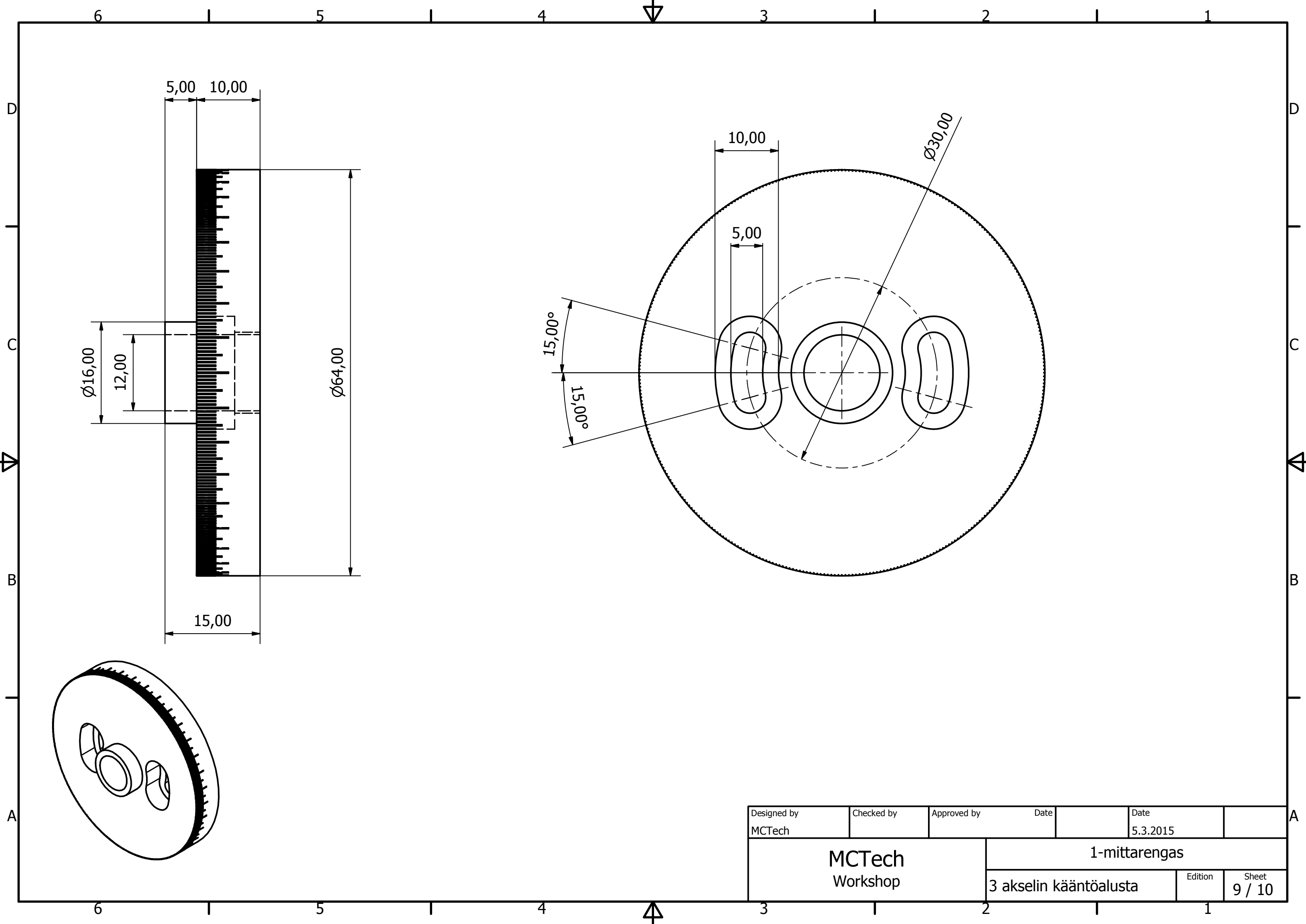
45,00



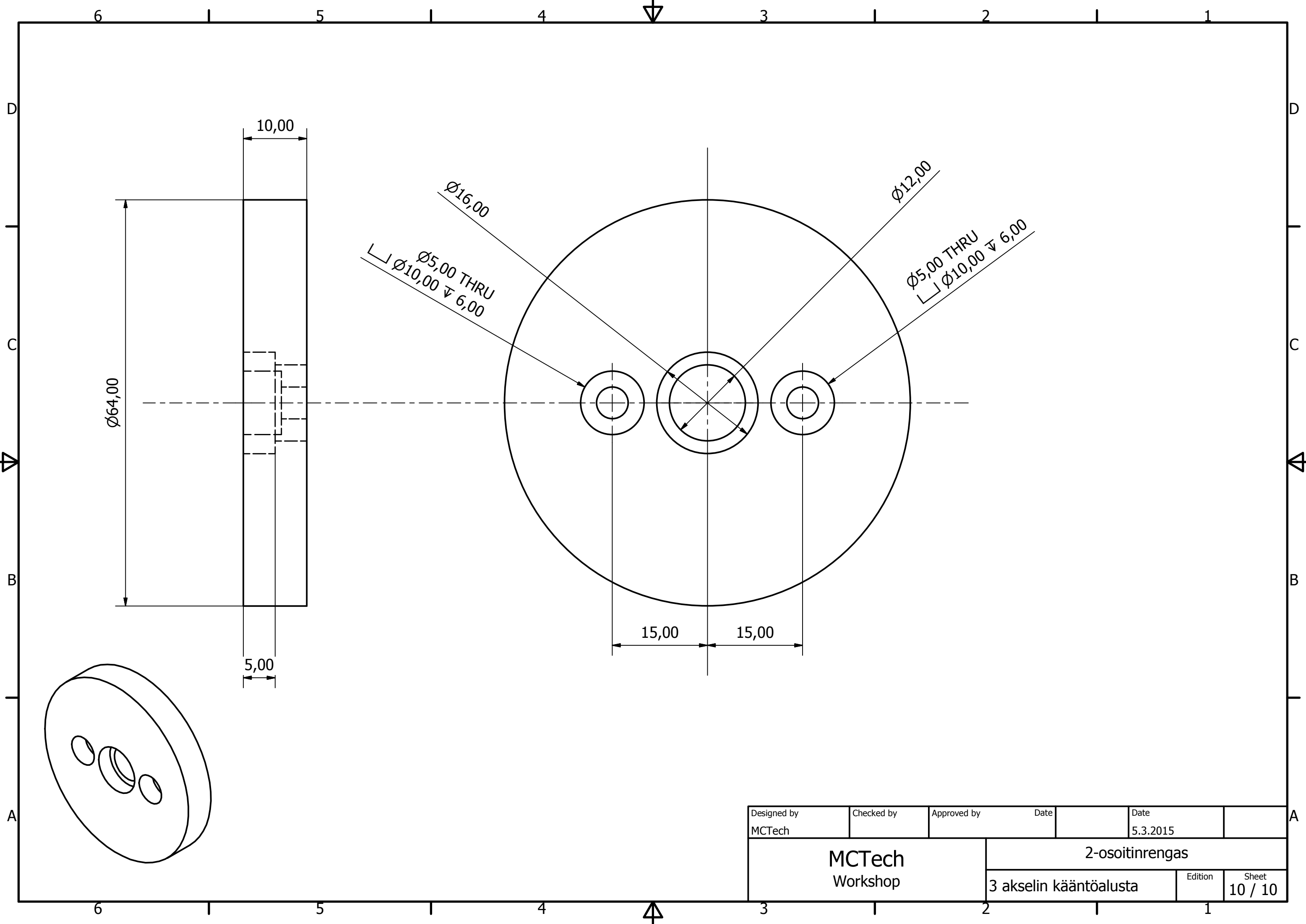
Designed by MCTech	Checked by	Approved by	Date	Date 5.3.2015	
MCTech Workshop			1-tolppa		
			3 akselin kääntöalusta	Edition	Sheet 7 / 10



Designed by MCTech	Checked by	Approved by	Date	Date 5.3.2015	
MCTech Workshop			2-tolppa		
			3 akselin kääntöalusta	Edition	Sheet 8 / 10



Designed by MCTech	Checked by	Approved by	Date	Date 5.3.2015	
MCTech Workshop			1-mittarengas		
			3 akselin kääntöalusta	Edition	Sheet 9 / 10



Designed by MCTech	Checked by	Approved by	Date	Date 5.3.2015
MCTech Workshop		2-osoitinrengas		
		3 akselin kääntöalusta	Edition	Sheet 10 / 10