

Designed by MCTech	Checked by	Approved by - date	Date 9.2.2006	
		Boring Head		
		Edition	Sheet 1 / 4	

6 5 4 3 2 1

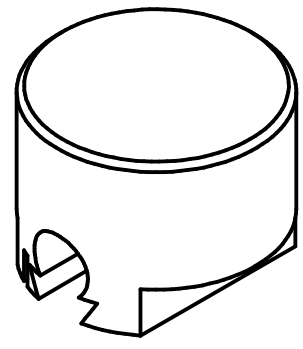
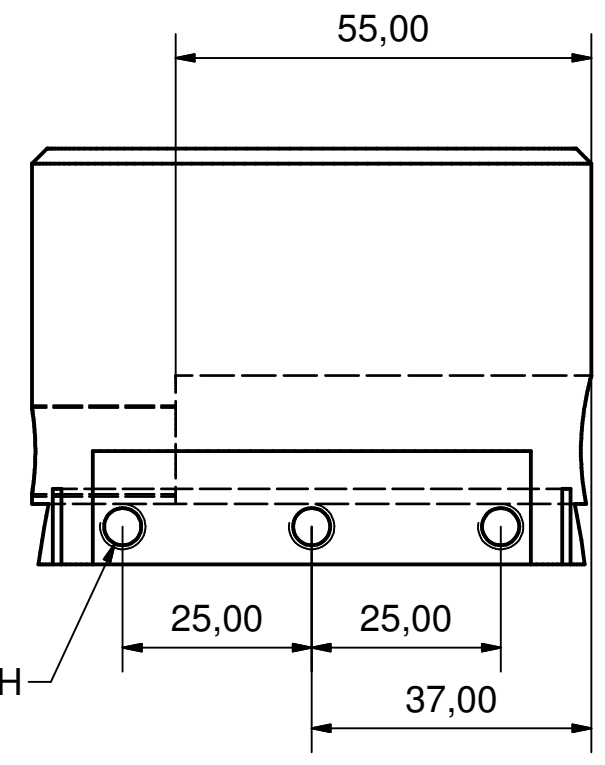
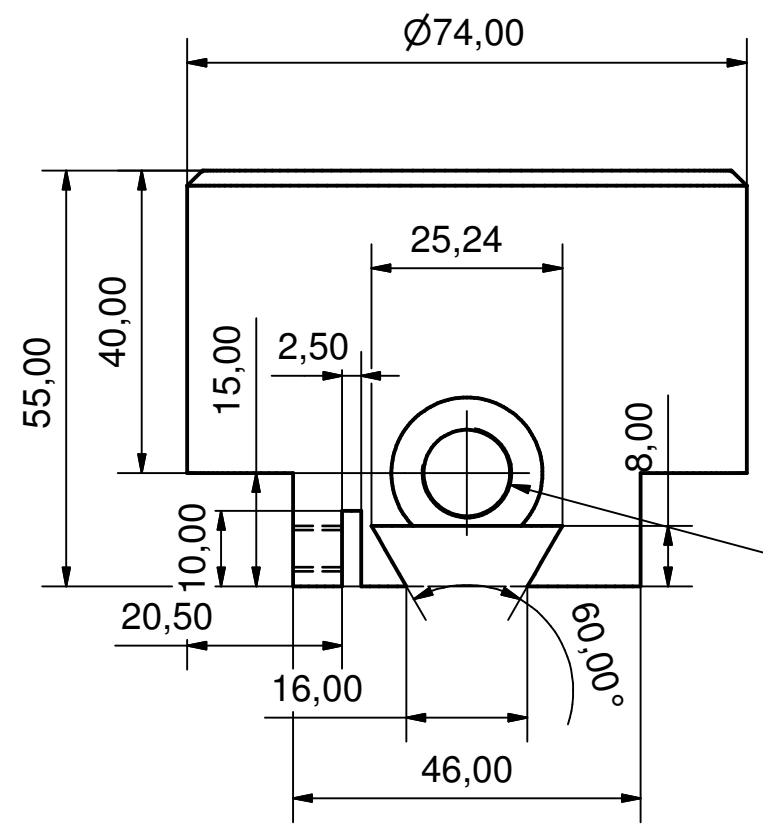
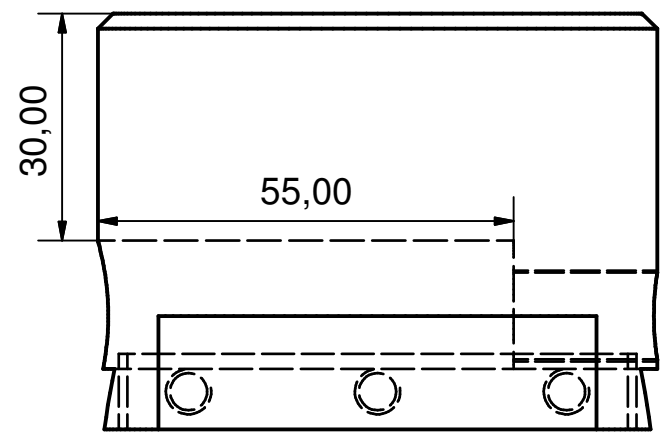
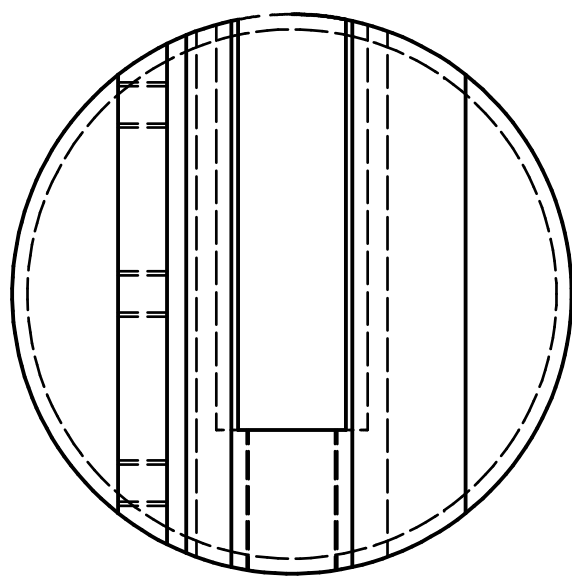
D

C

B

A

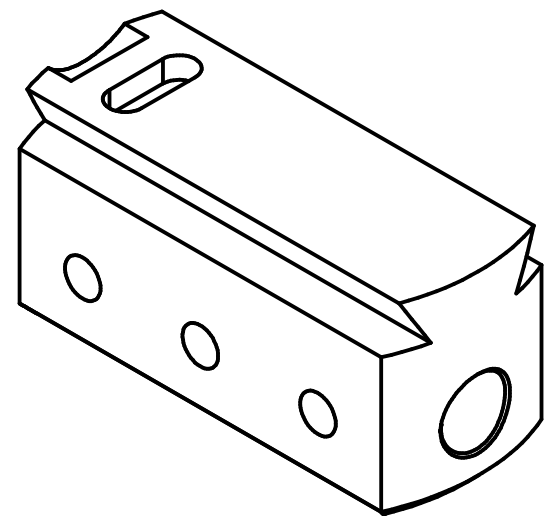
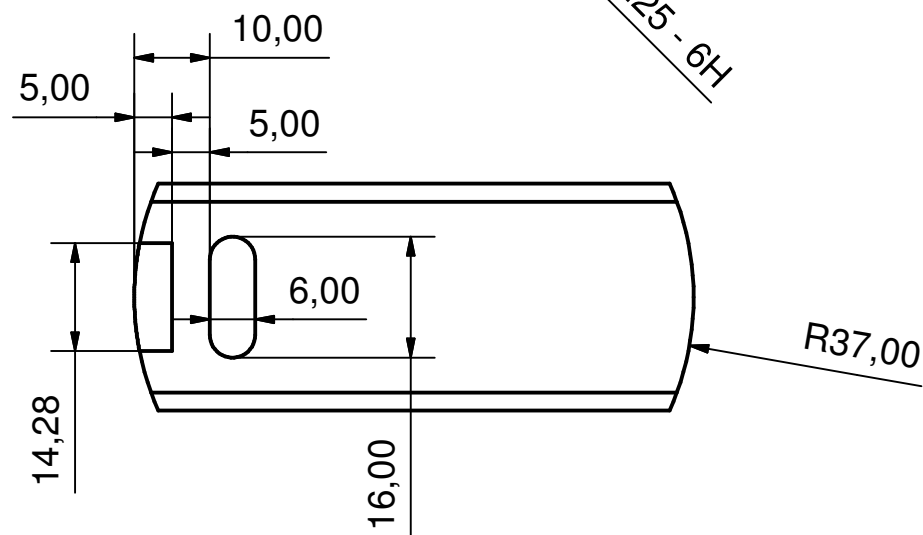
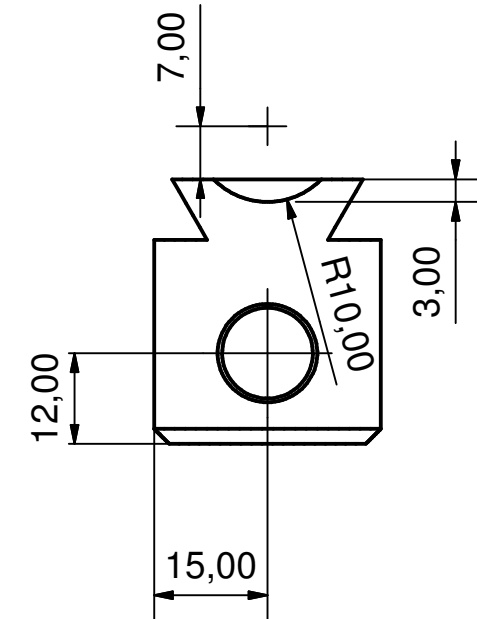
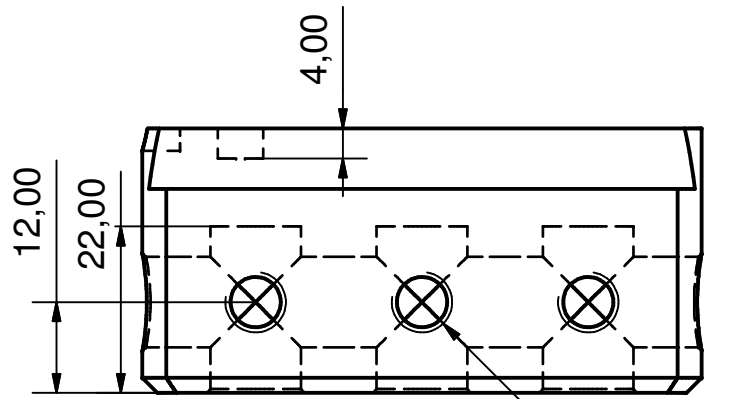
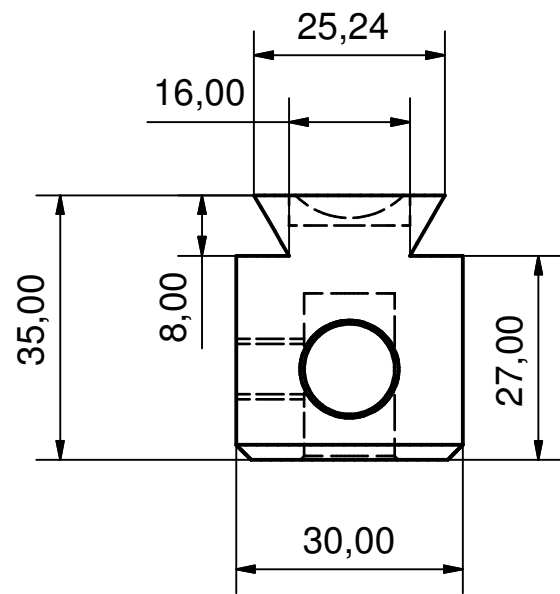
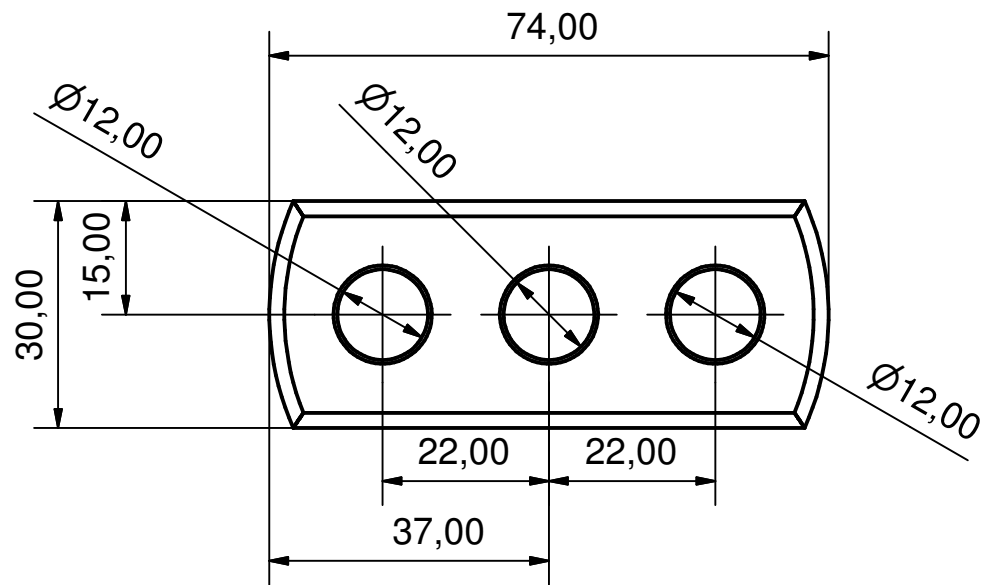
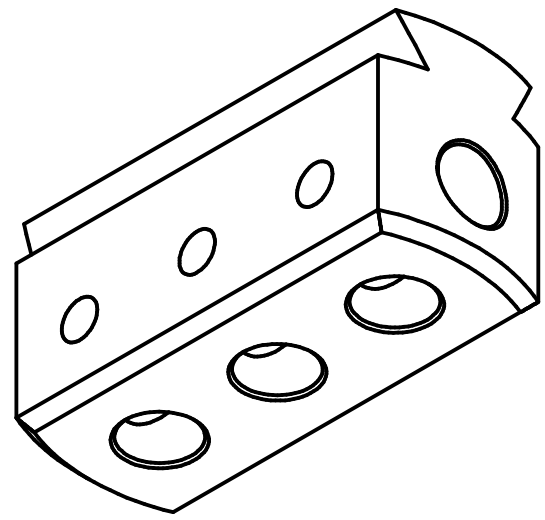
6 5 4 3 2 1



M12x0.5 - 6H  
 □ Ø20,00 ∇ 55,00

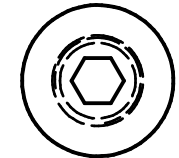
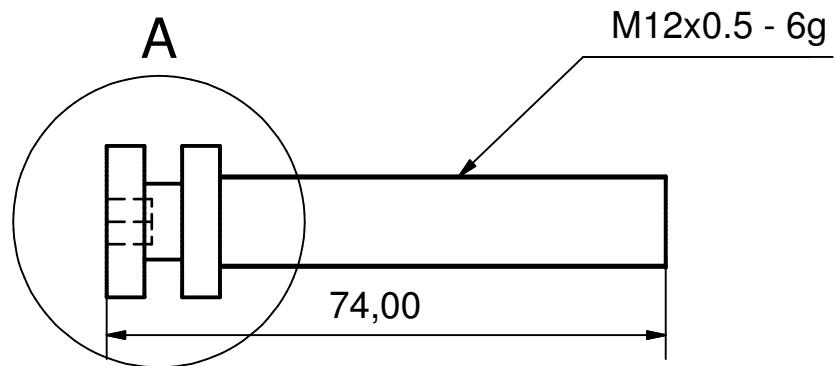
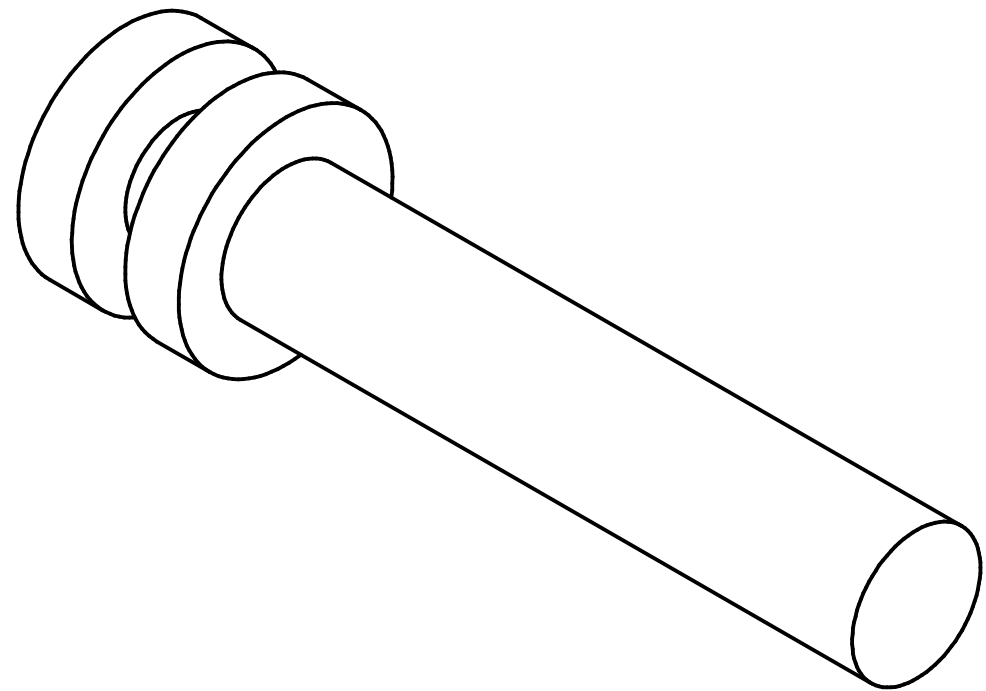
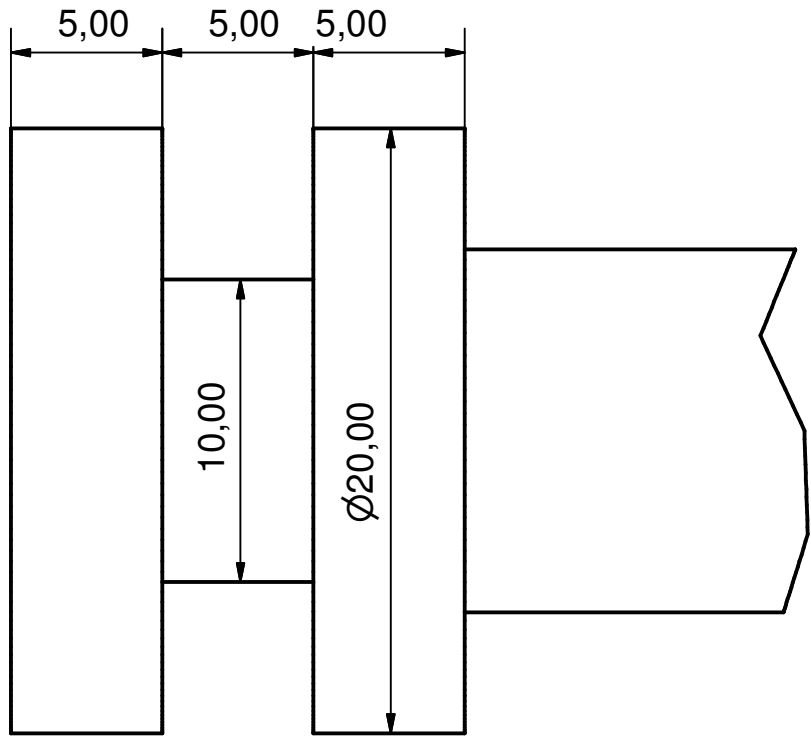
M6x1 - 6H

Designed by MCTech	Checked by	Approved by - date	Date 9.2.2006
		Boring Head	
		Edition	Sheet 2 / 4



Designed by MCTech	Checked by	Approved by - date	Date 9.2.2006
		Boring Head	
		Edition	Sheet 3 / 4

A (4:1)



Designed by MCTech	Checked by	Approved by - date	Date 9.2.2006	
		Boring Head		
		Edition	Sheet 4 / 4	