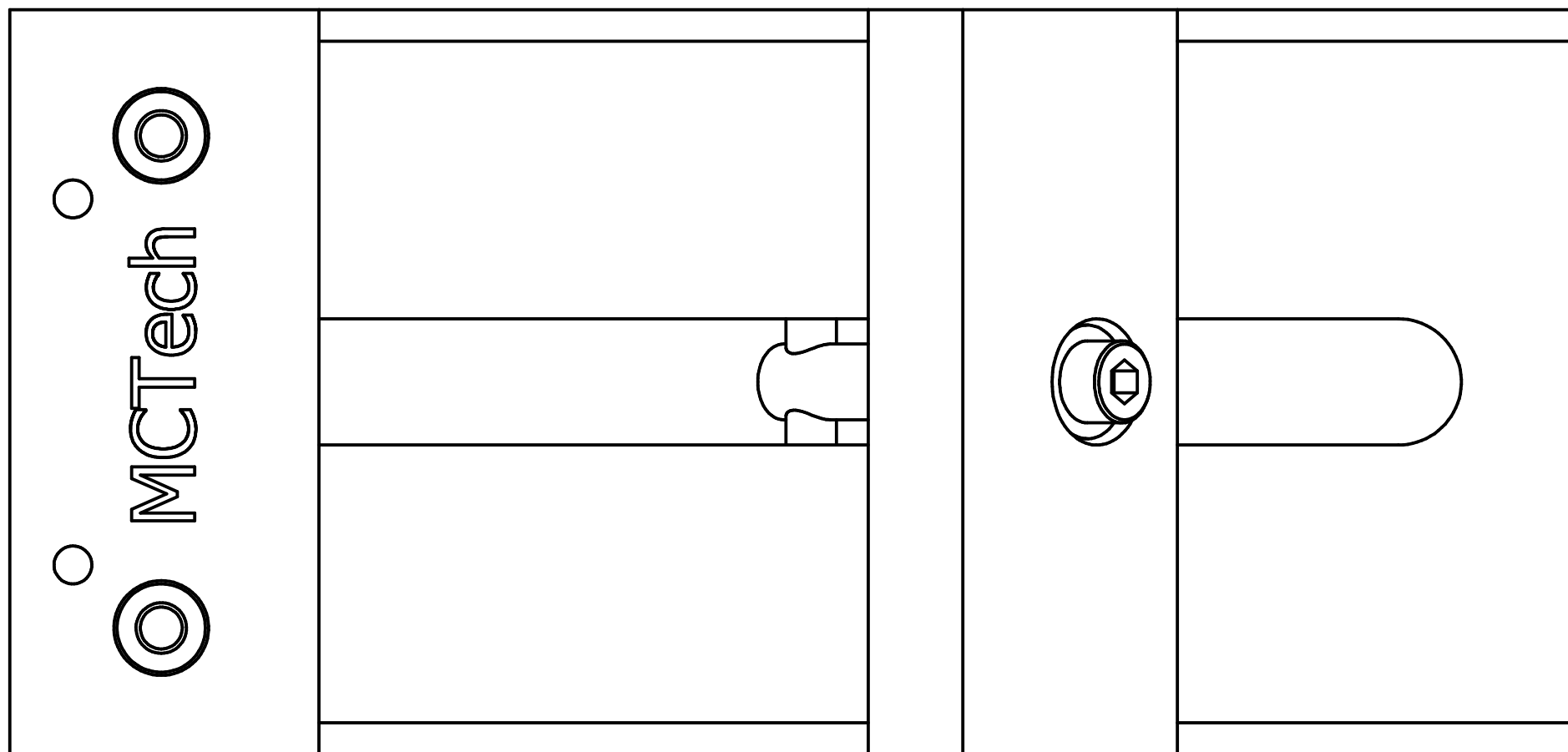
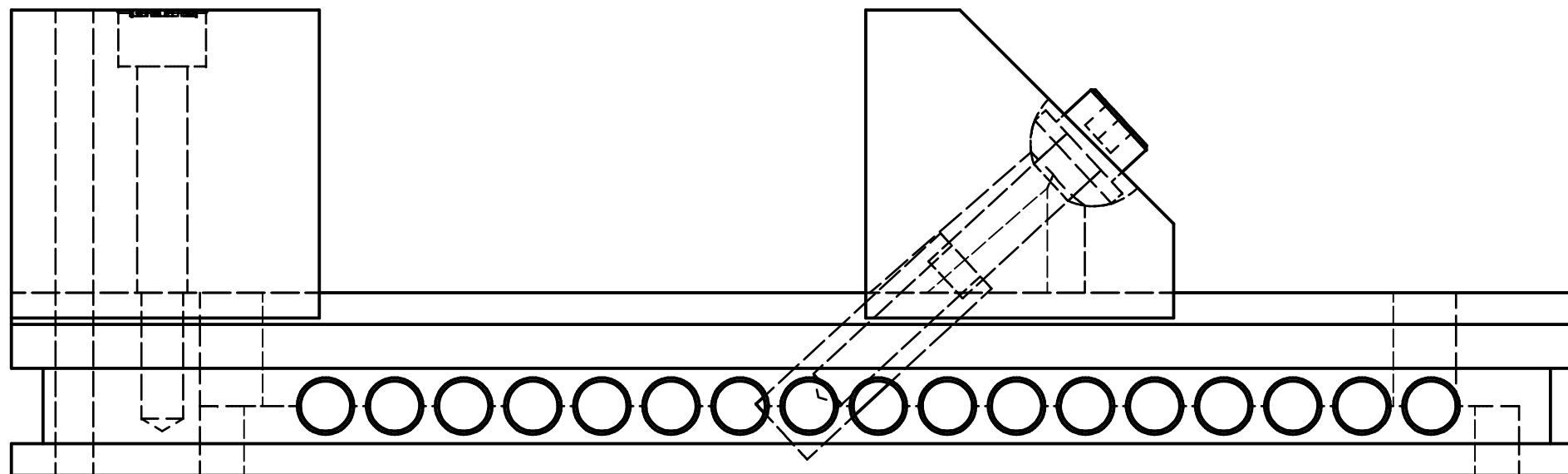
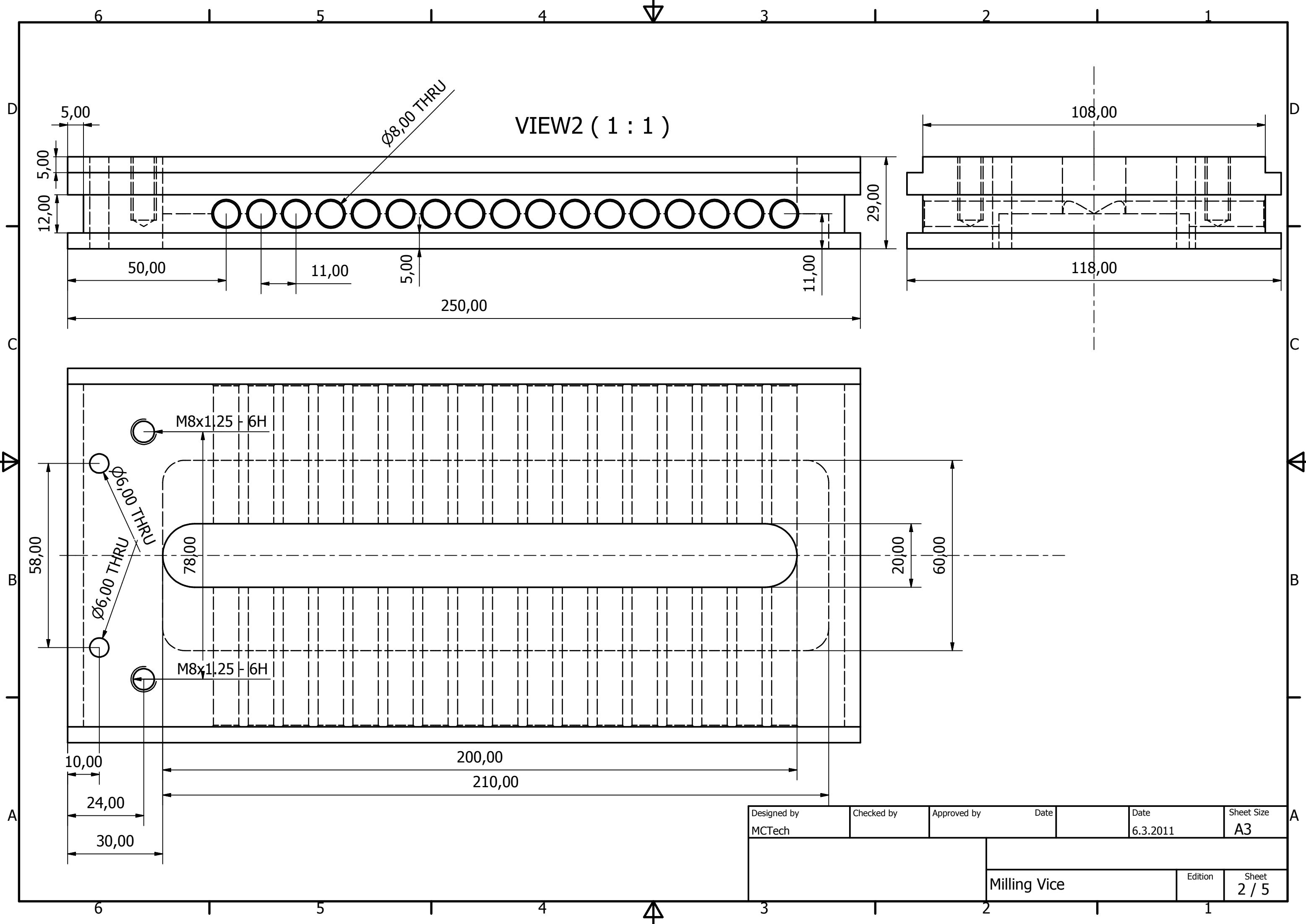


VIEW1 ( 1 : 1 )



© MCTech ©

Designed by MCTech	Checked by	Approved by	Date	Date 6.3.2011	Sheet Size A3
			Milling Vice		Edition
					Sheet 1 / 5



VIEW2 ( 1 : 1 )

Ø8,00 THRU

M8x1,25 - 6H

M8x1,25 - 6H

Ø6,00 THRU

Ø6,00 THRU

108,00

118,00

250,00

200,00

210,00

78,00

20,00

60,00

29,00

50,00

11,00

5,00

11,00

5,00

5,00

12,00

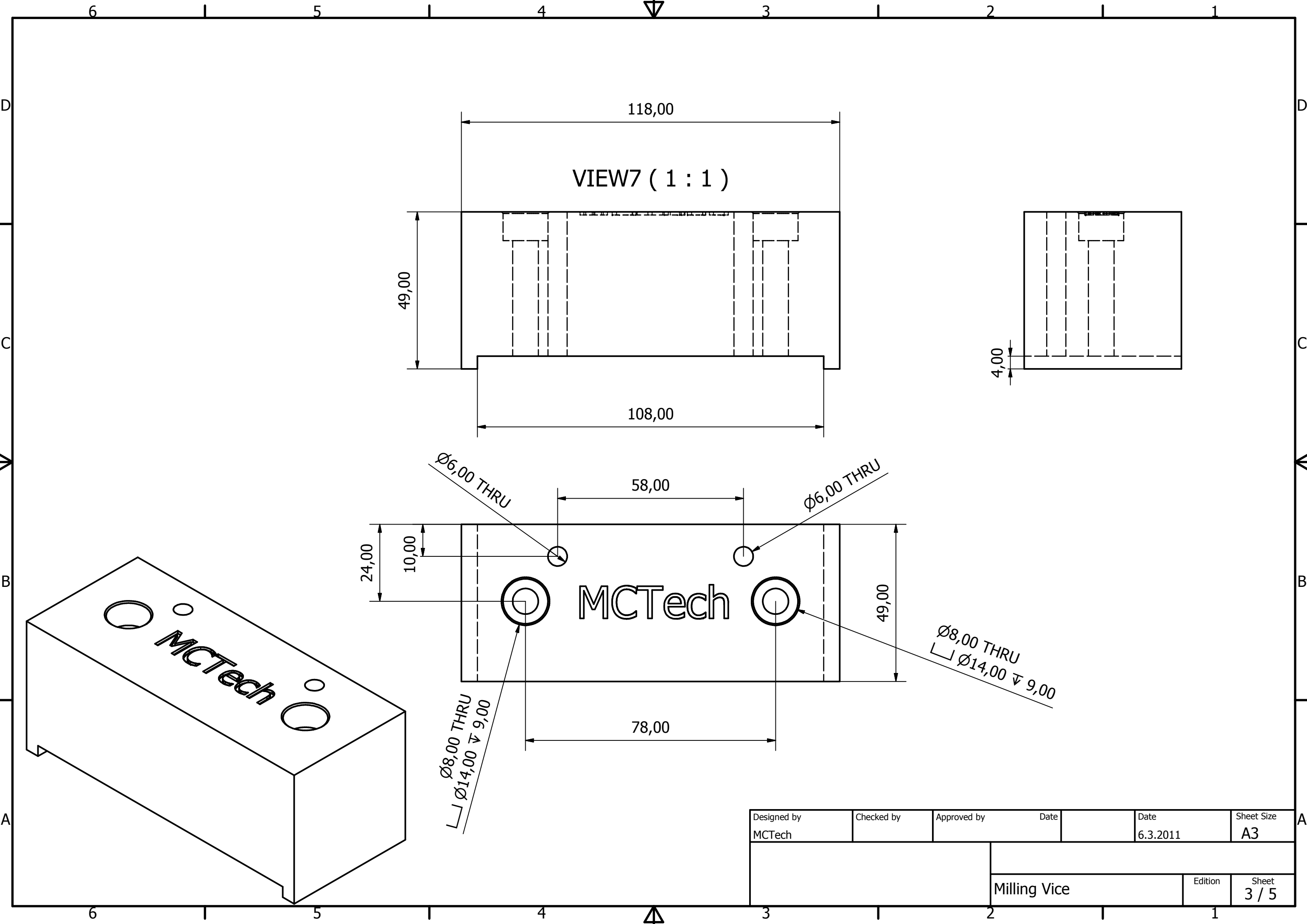
58,00

10,00

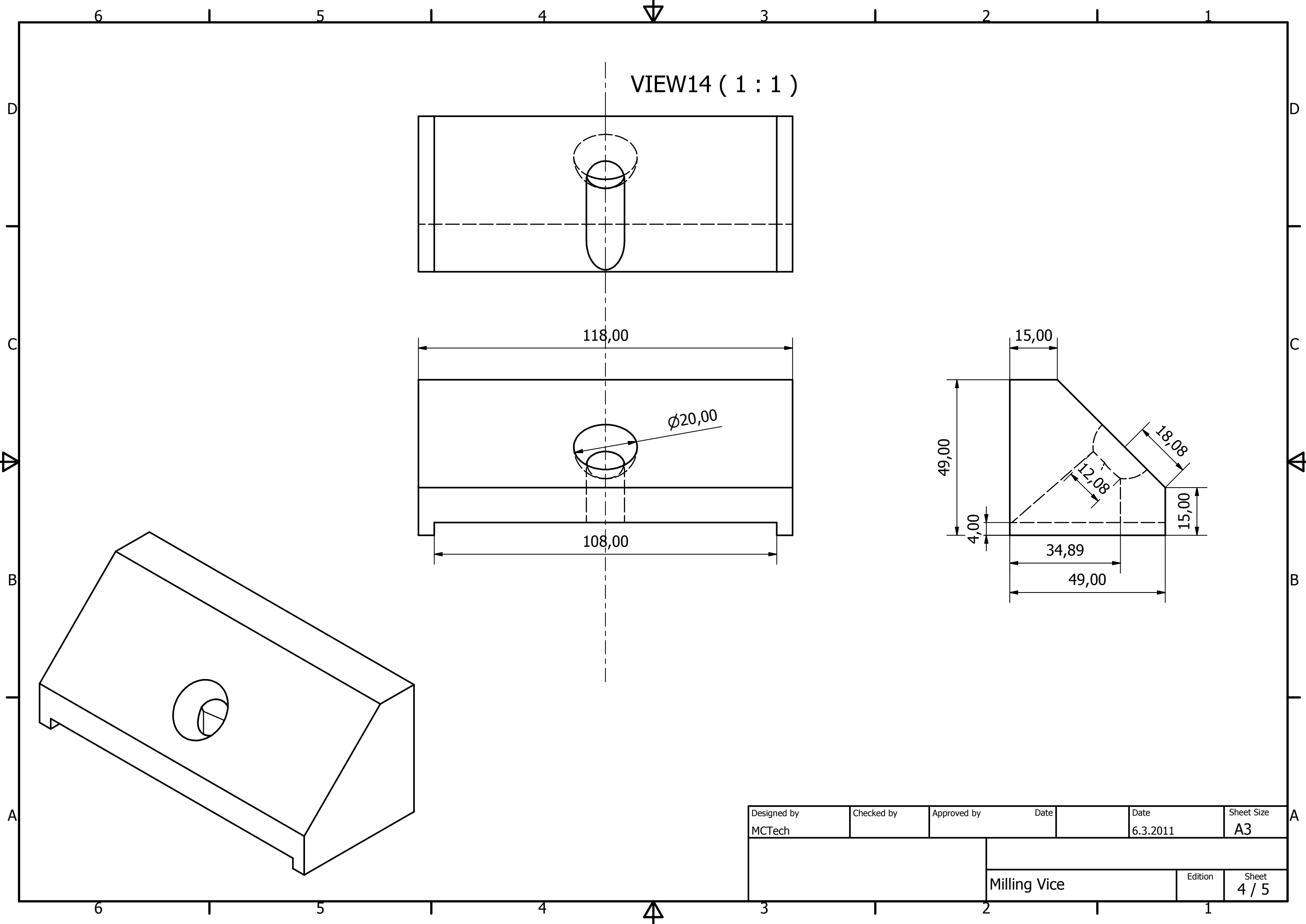
24,00

30,00

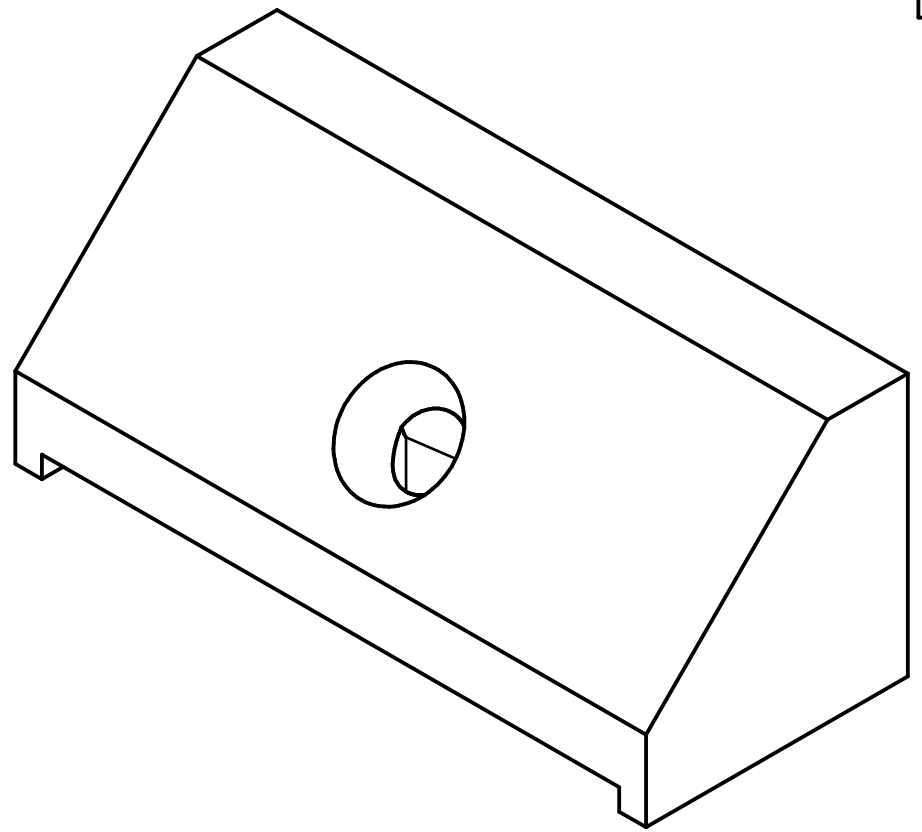
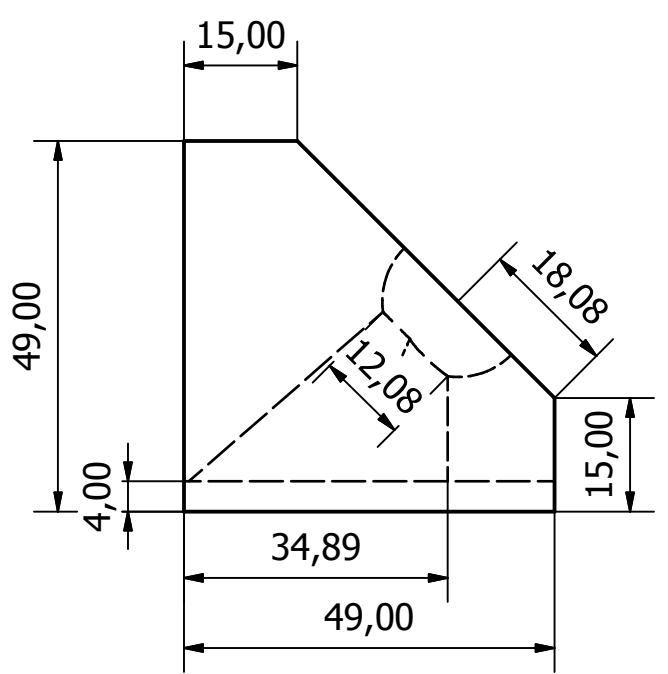
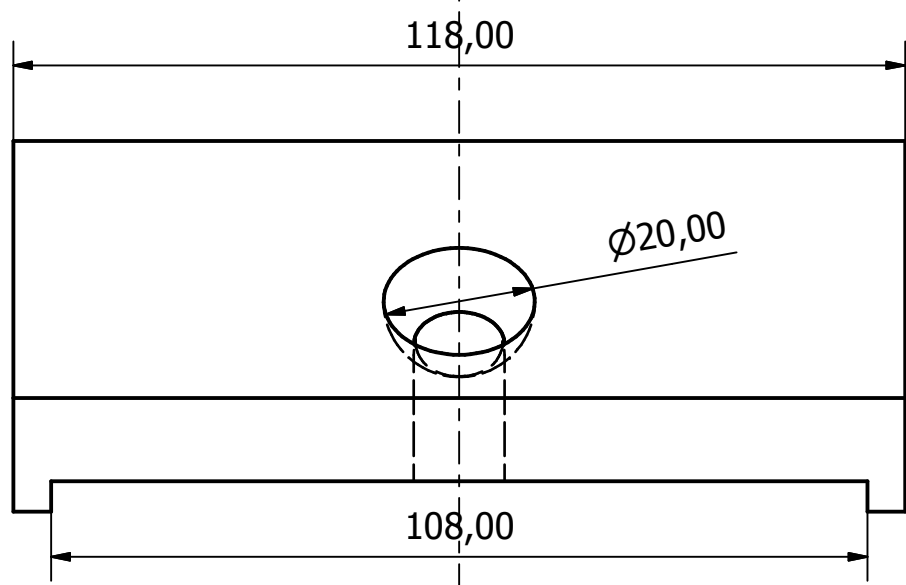
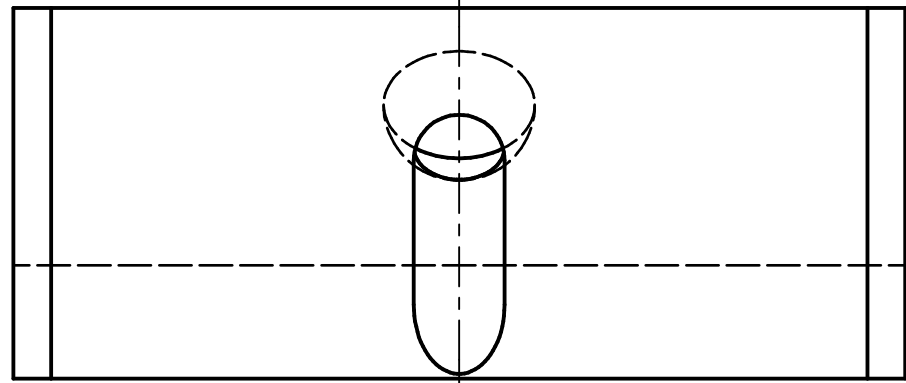
Designed by MCTech	Checked by	Approved by	Date	Date 6.3.2011	Sheet Size A3
			Milling Vice		Edition
					Sheet 2 / 5



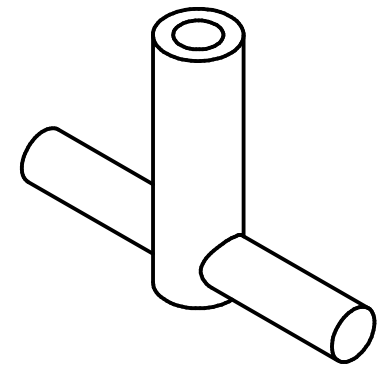
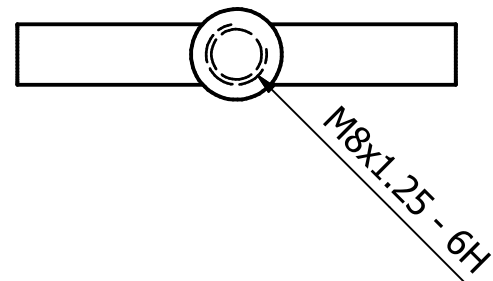
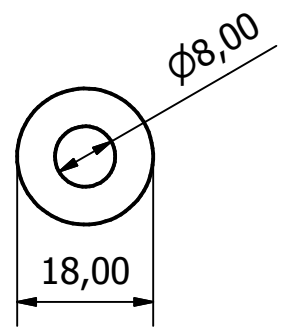
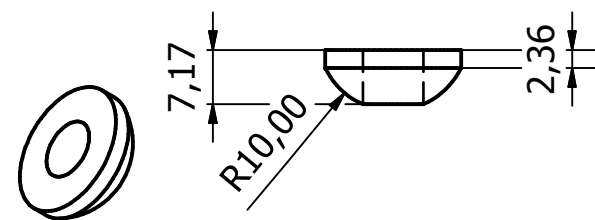
Designed by MCTech	Checked by	Approved by	Date	Date 6.3.2011	Sheet Size A3
			Milling Vice		Edition
					Sheet 3 / 5



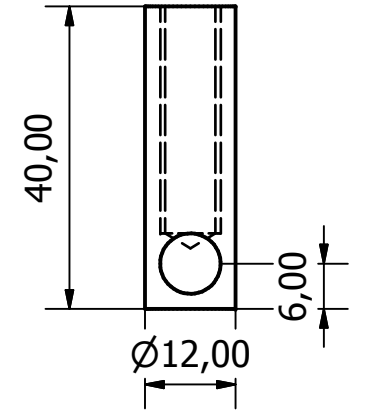
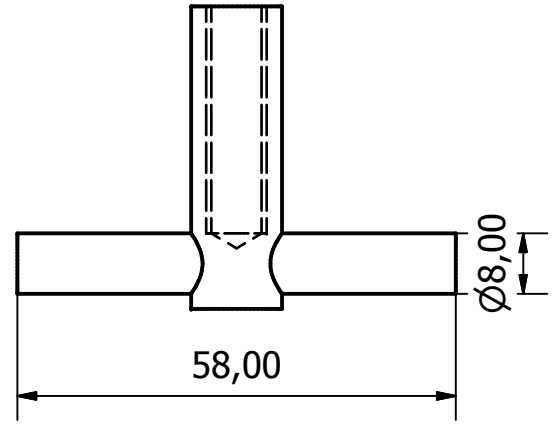
VIEW14 ( 1 : 1 )



Designed by MCTech	Checked by	Approved by	Date	Date 6.3.2011	Sheet Size A3
			Milling Vice		
			Edition	Sheet 4 / 5	



VIEW15 ( 1 : 1 )



Designed by MCTech	Checked by	Approved by	Date	Date 6.3.2011	Sheet Size A3
			Milling Vice		Edition
					Sheet 5 / 5