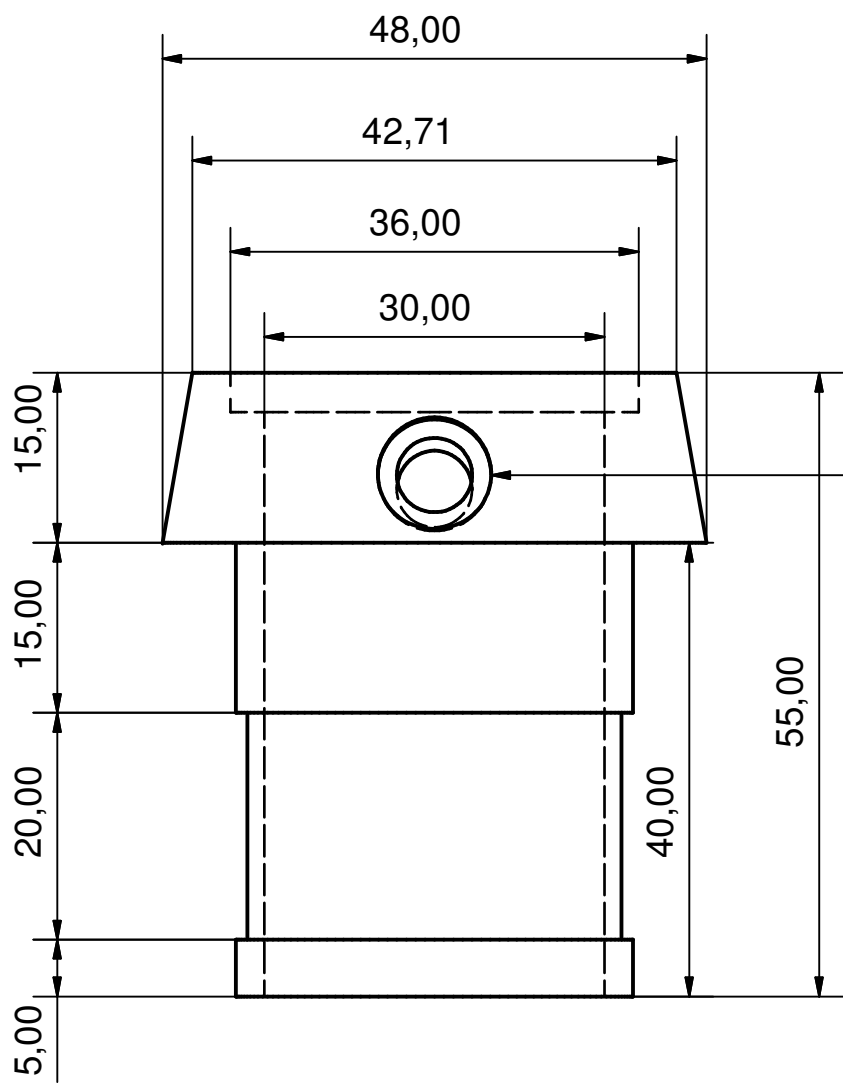
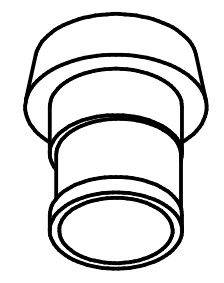
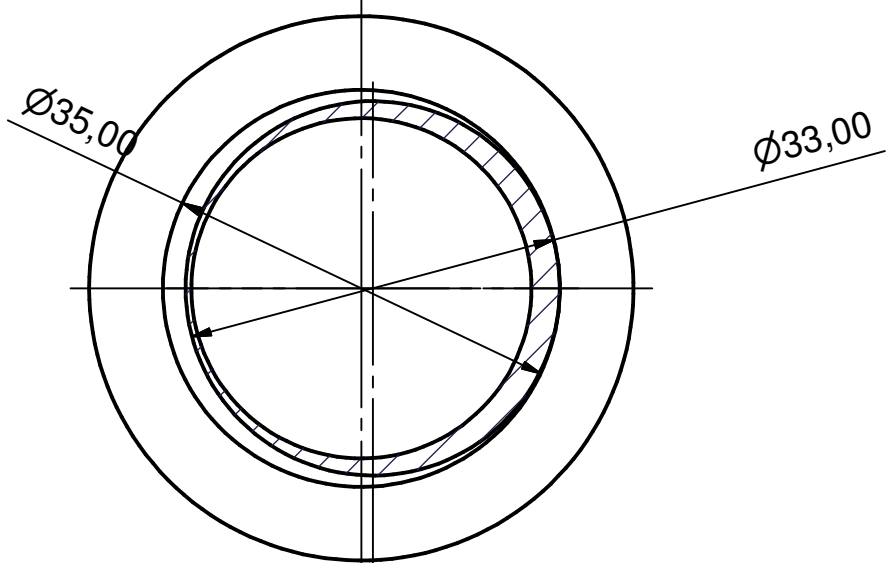
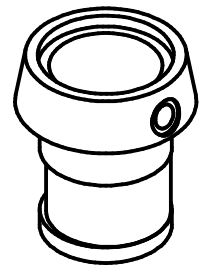
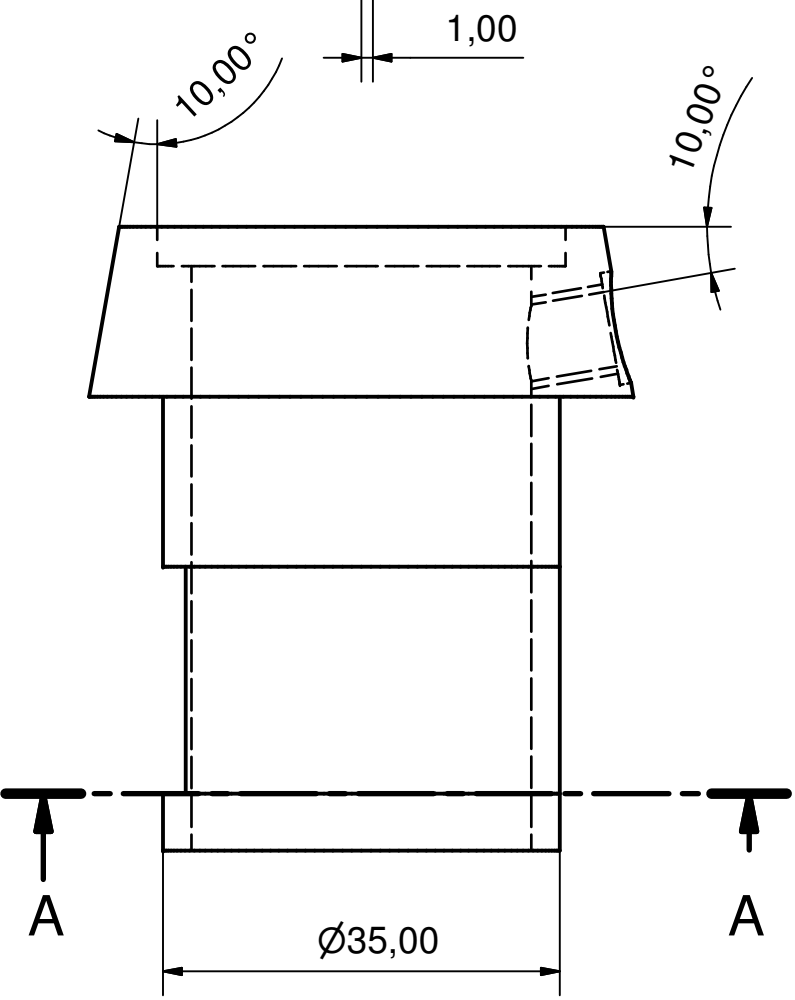


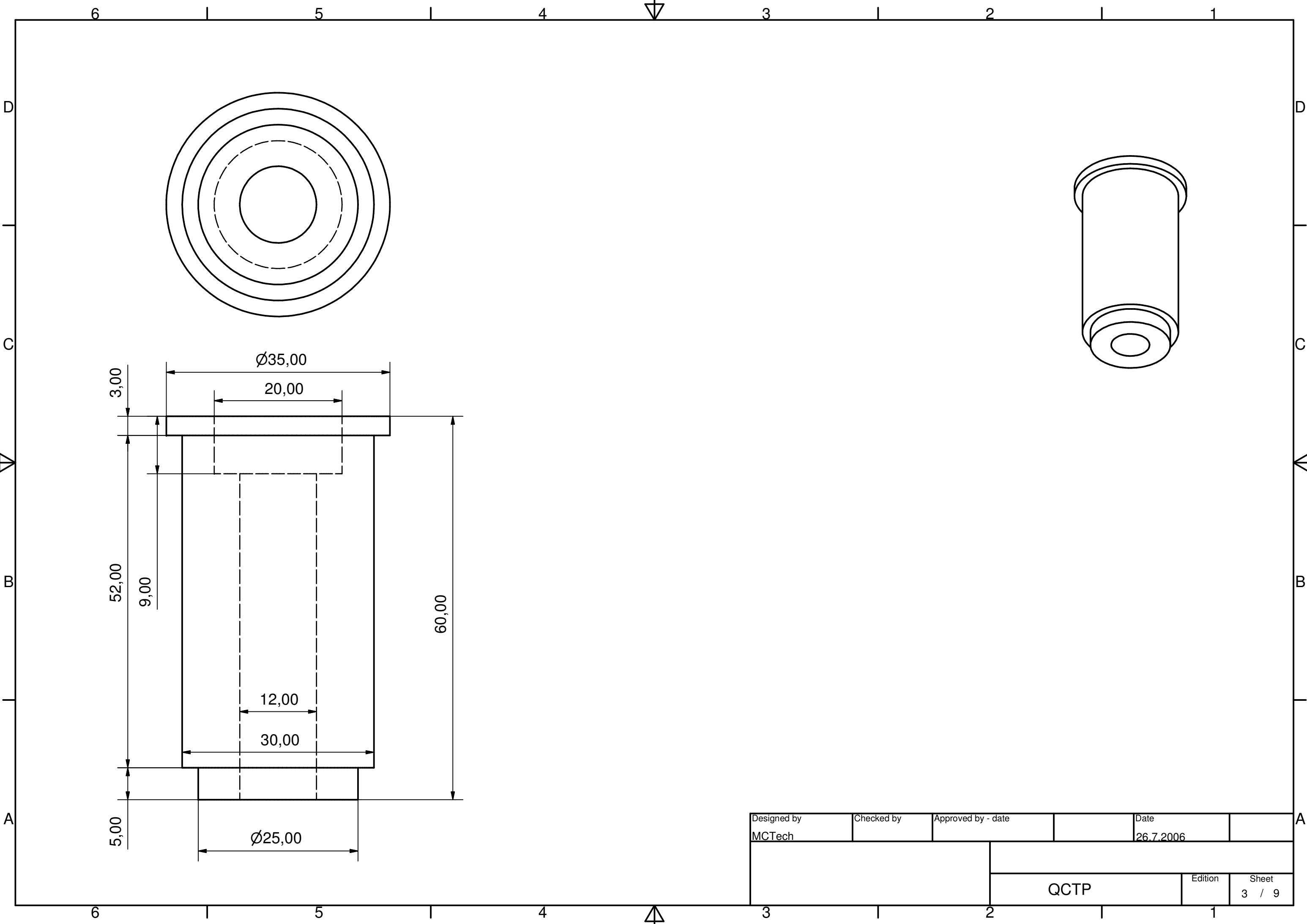
A-A (1,50 : 1)



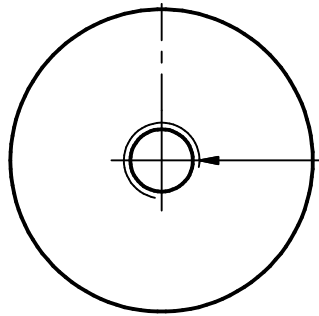
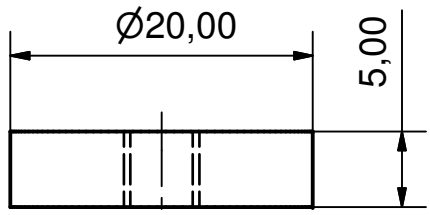
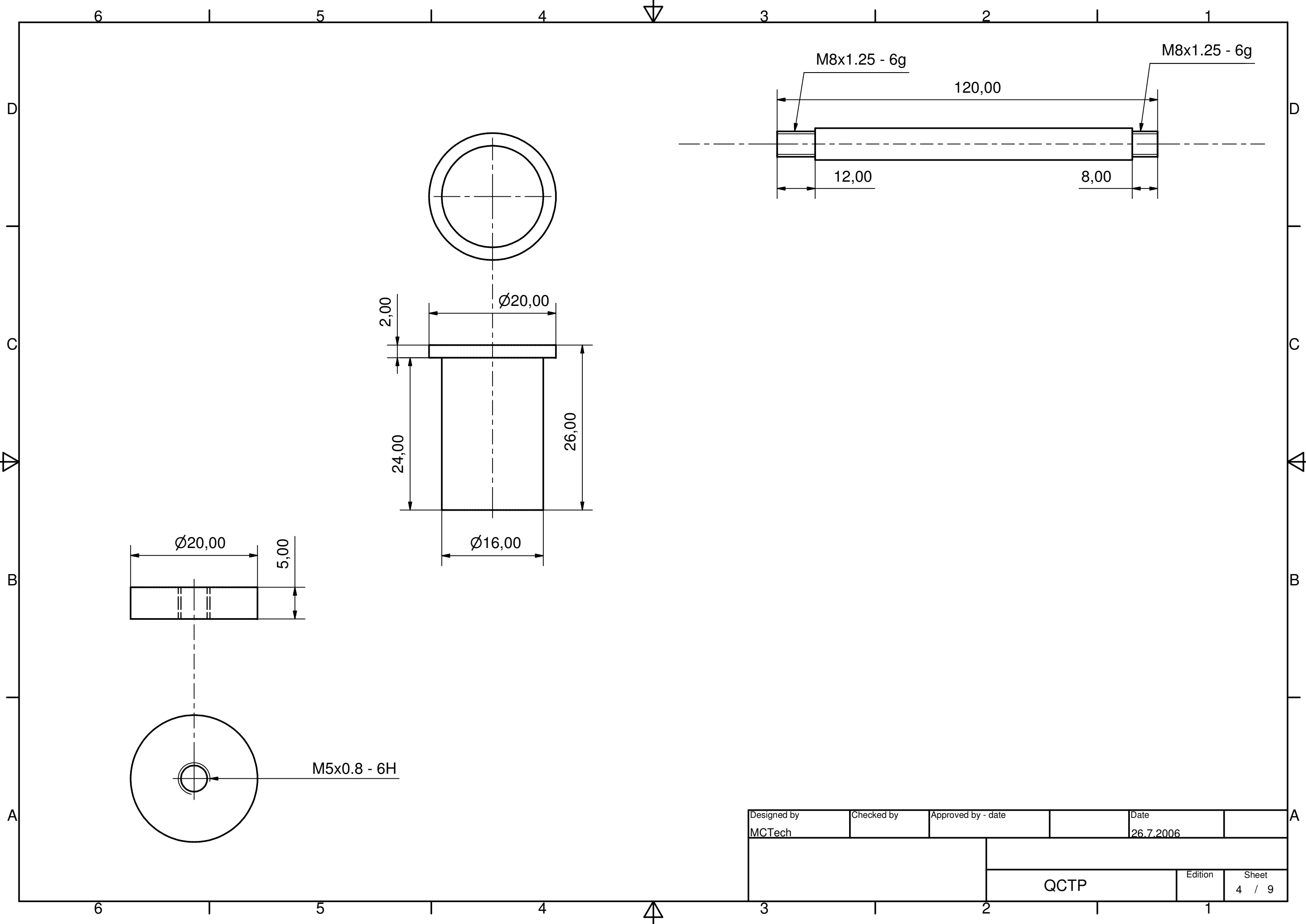
M8x1.25 - 6H
 □ Ø10,00 ∇ 1,00



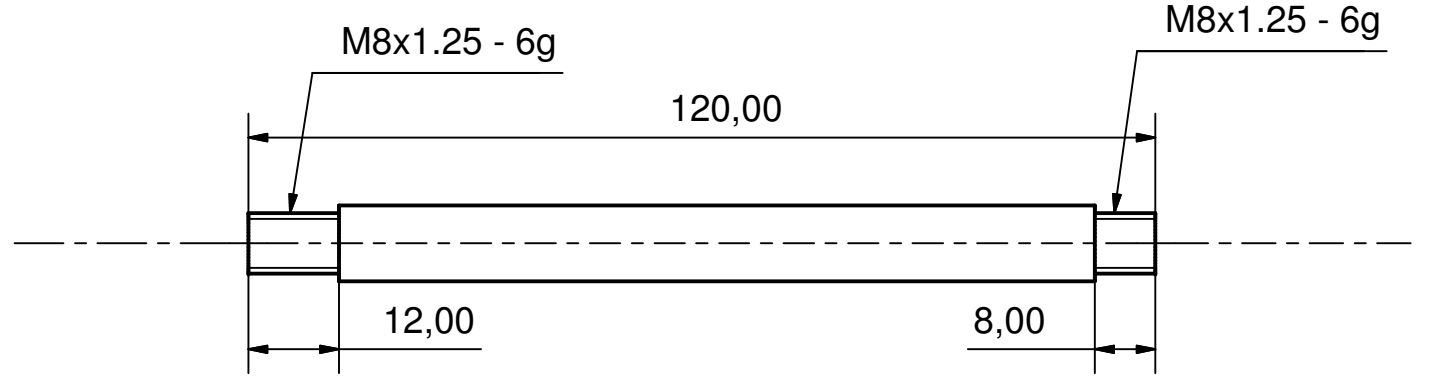
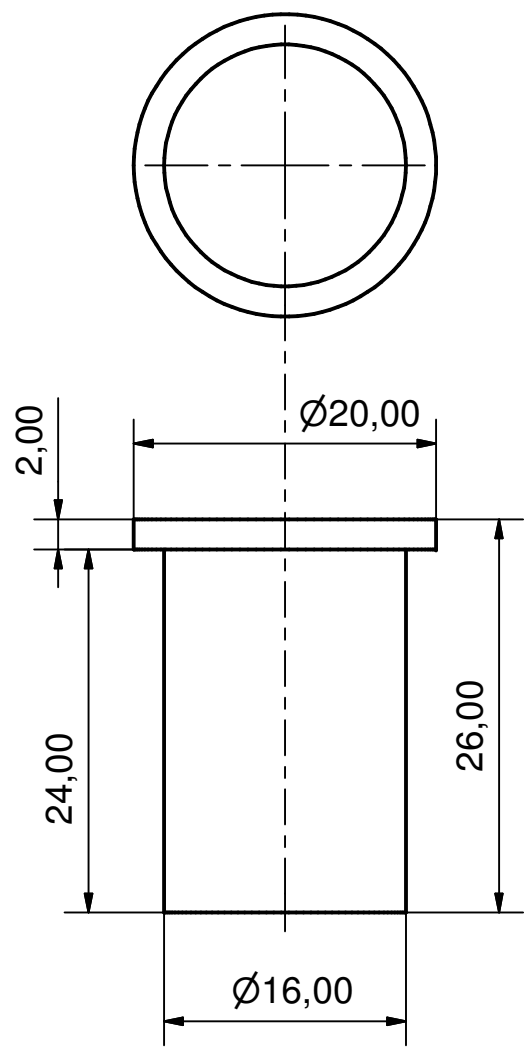
Designed by MCTech	Checked by	Approved by - date	Date 26.7.2006
QCTP		Edition	Sheet 2 / 9



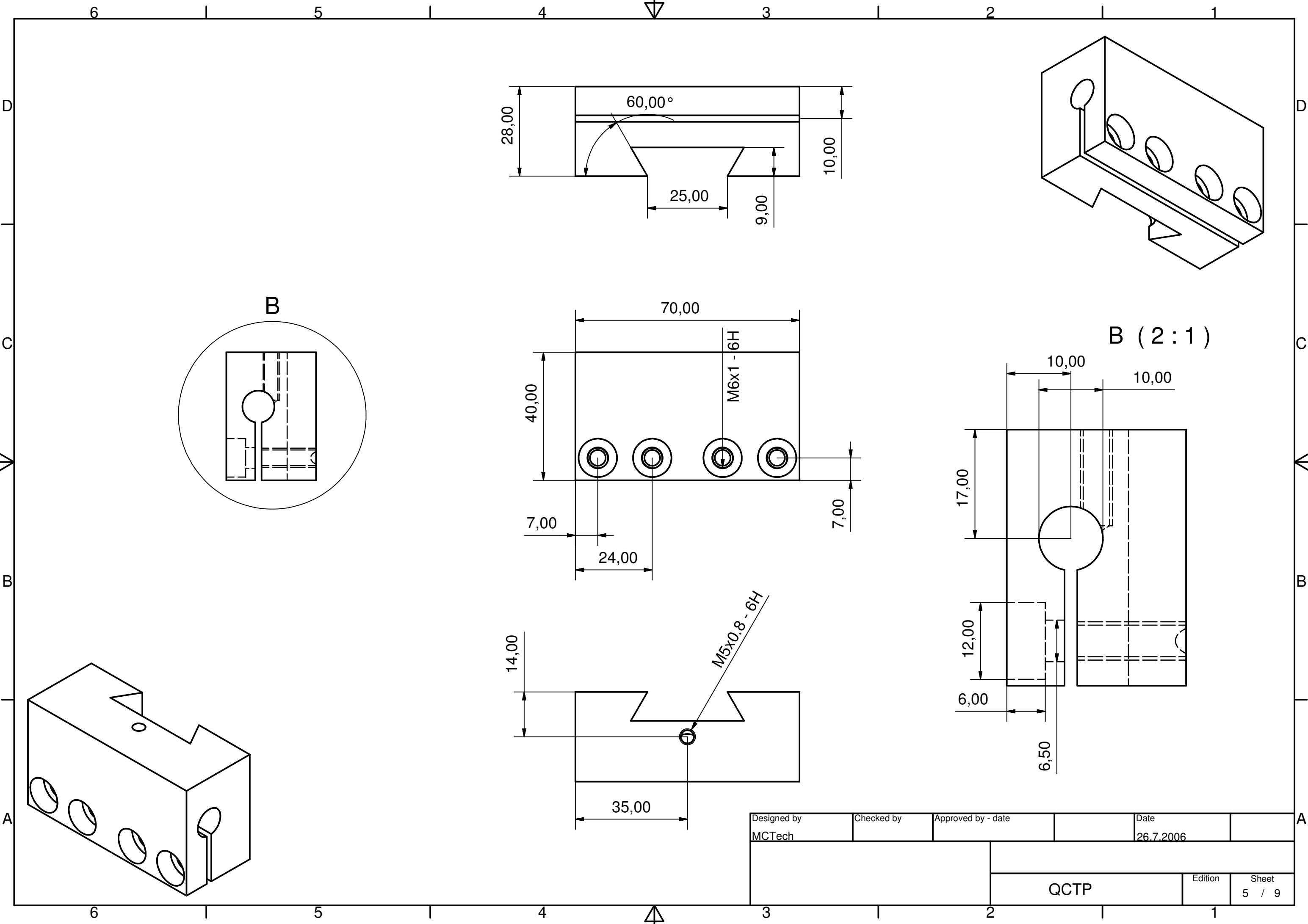
Designed by MCTech	Checked by	Approved by - date	Date 26.7.2006	
		QCTP		
		Edition	Sheet	
		3	9	

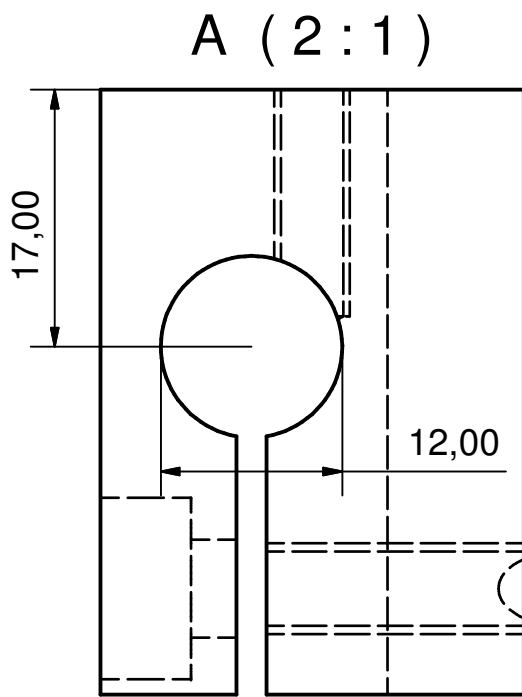
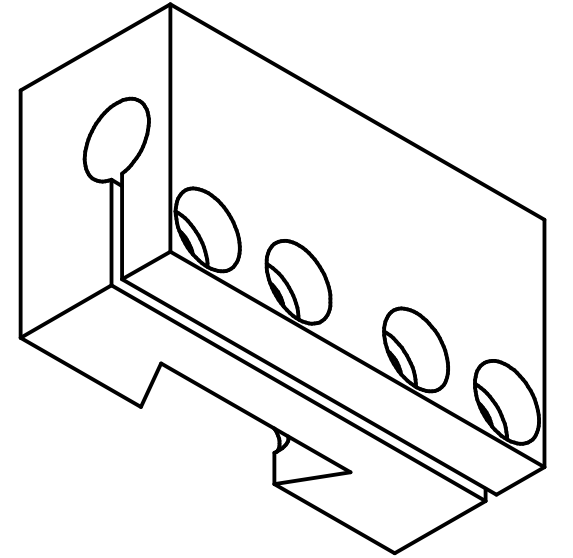
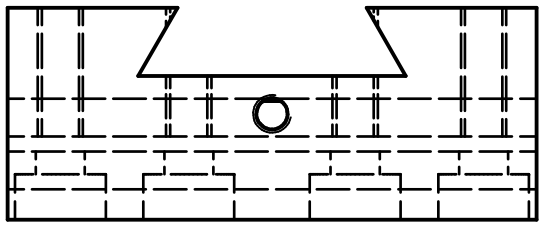
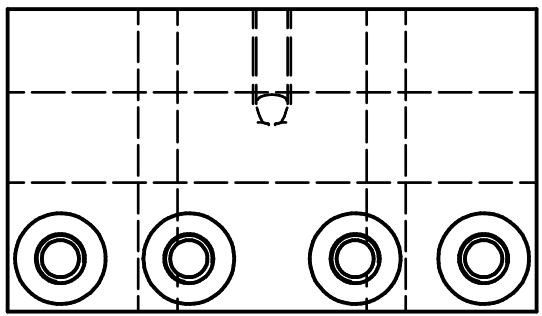
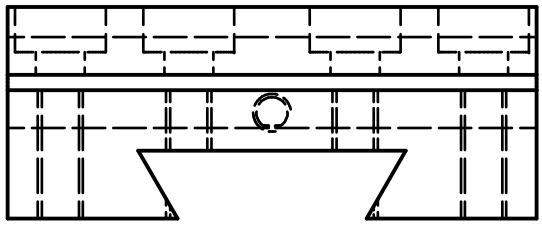
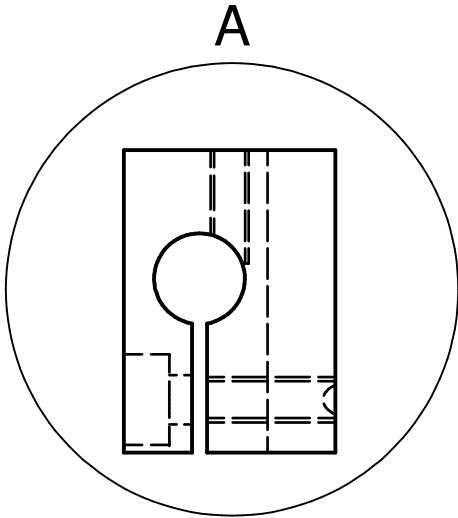
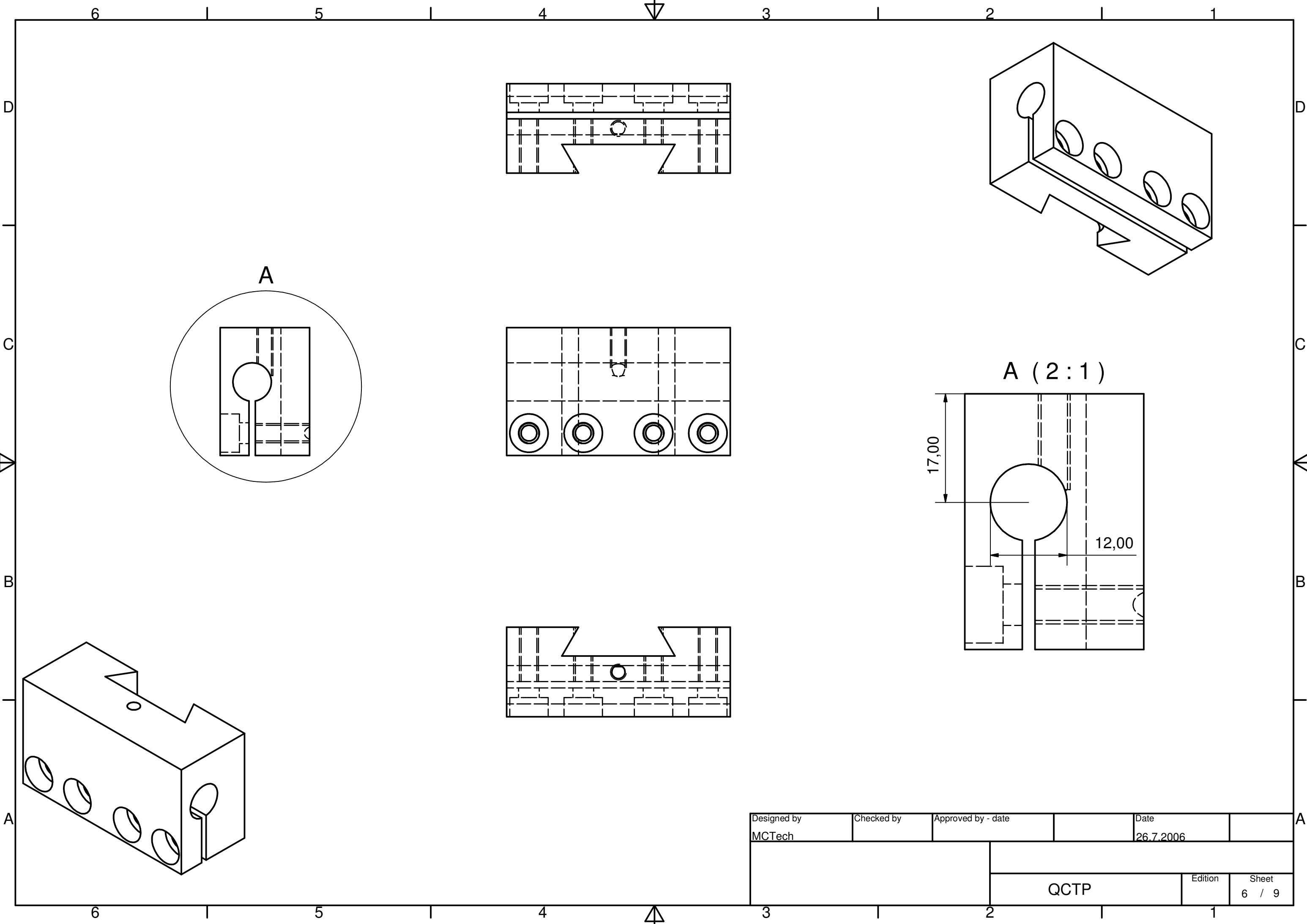


M5x0.8 - 6H

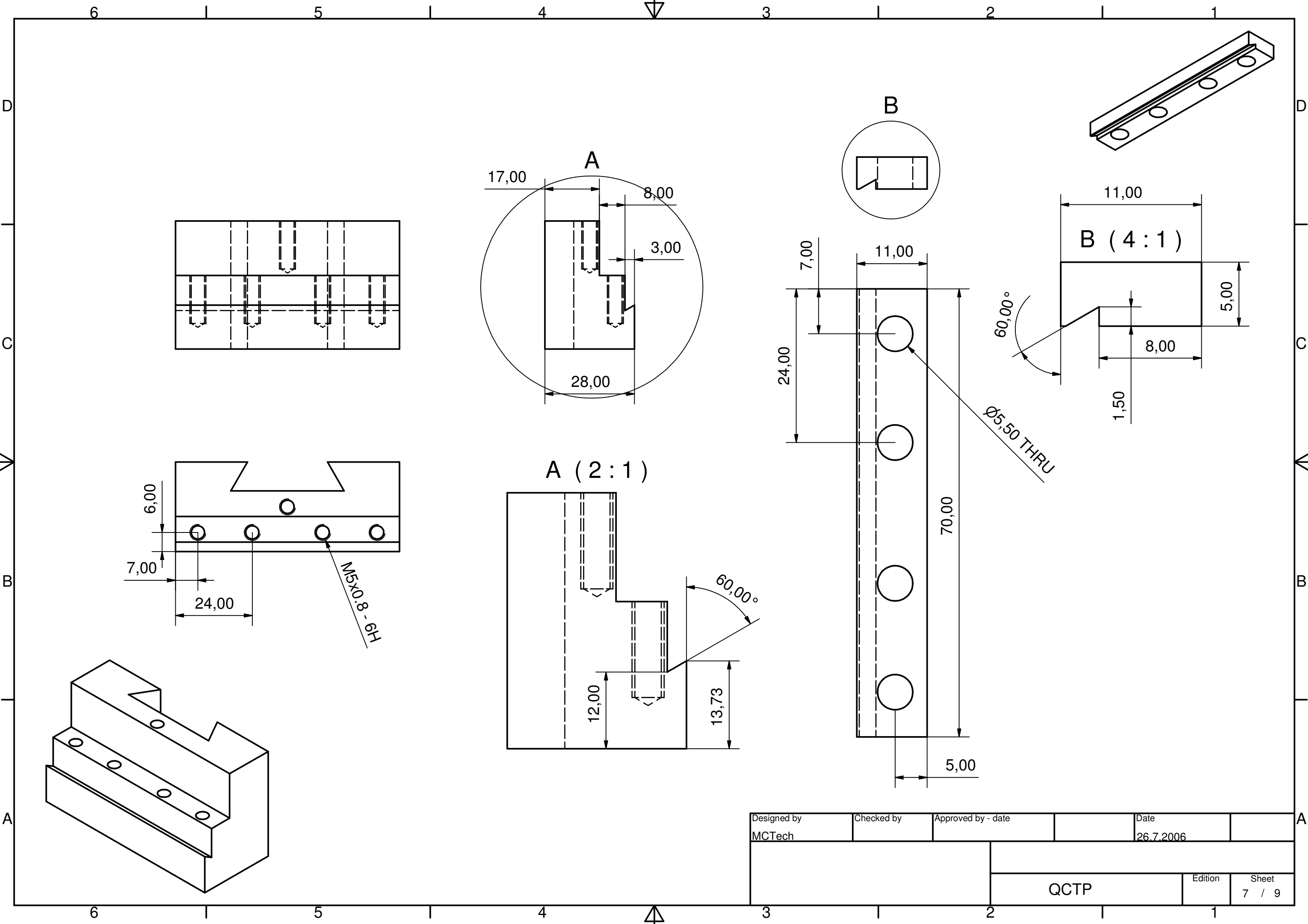


Designed by MCTech	Checked by	Approved by - date	Date 26.7.2006
		QCTP	
		Edition	Sheet 4 / 9





Designed by MCTech	Checked by	Approved by - date	Date 26.7.2006	
		QCTP		Sheet 6 / 9
		Edition		



Designed by MCTech	Checked by	Approved by - date	Date 26.7.2006
		Edition	
		QCTP	Sheet 7 / 9

6 5 4 3 2 1

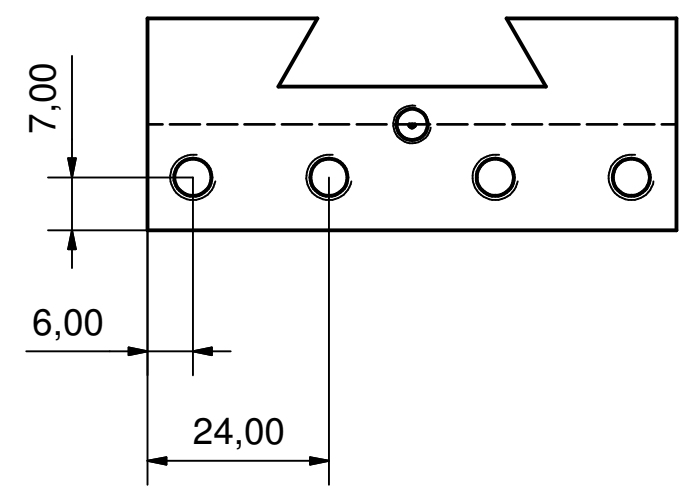
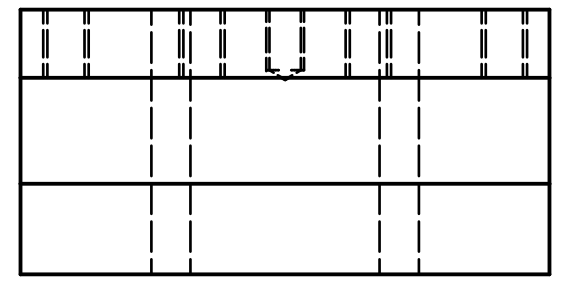
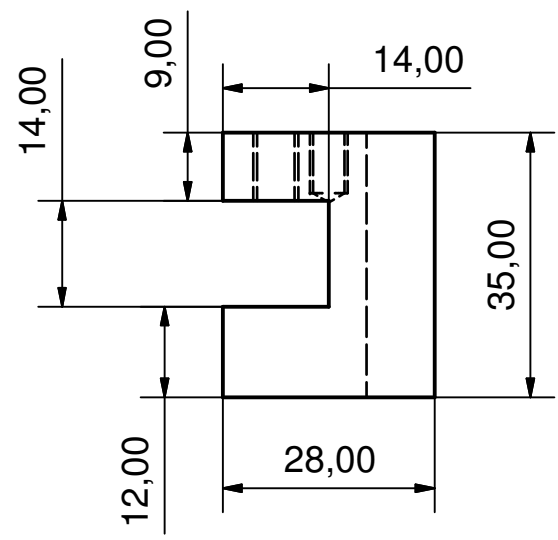
D

C

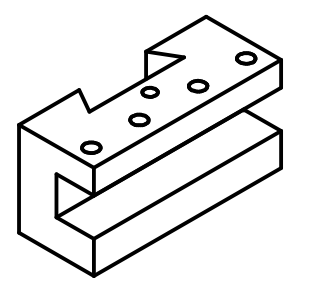
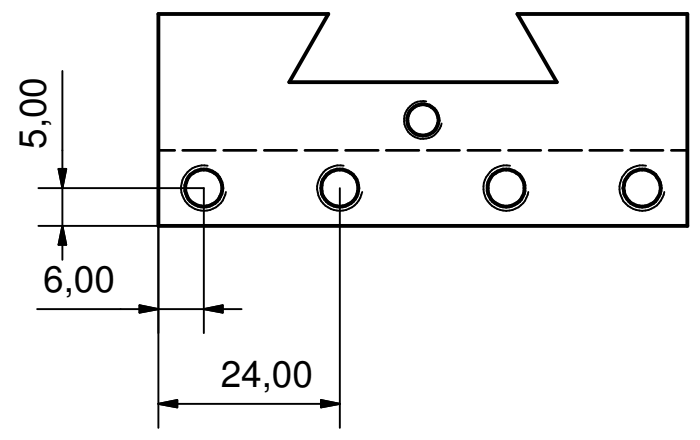
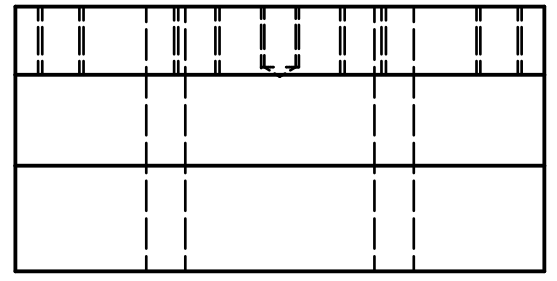
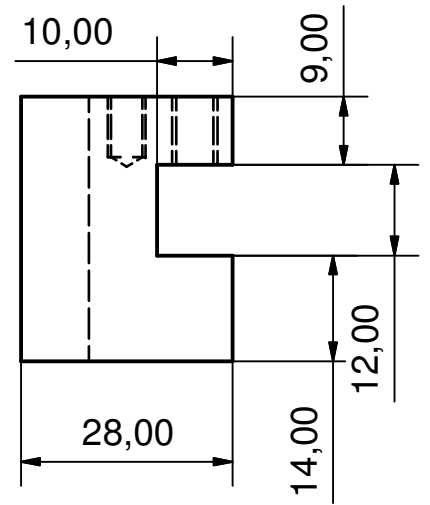
B

A

TERÄPIDIN 14MM VARRELLE

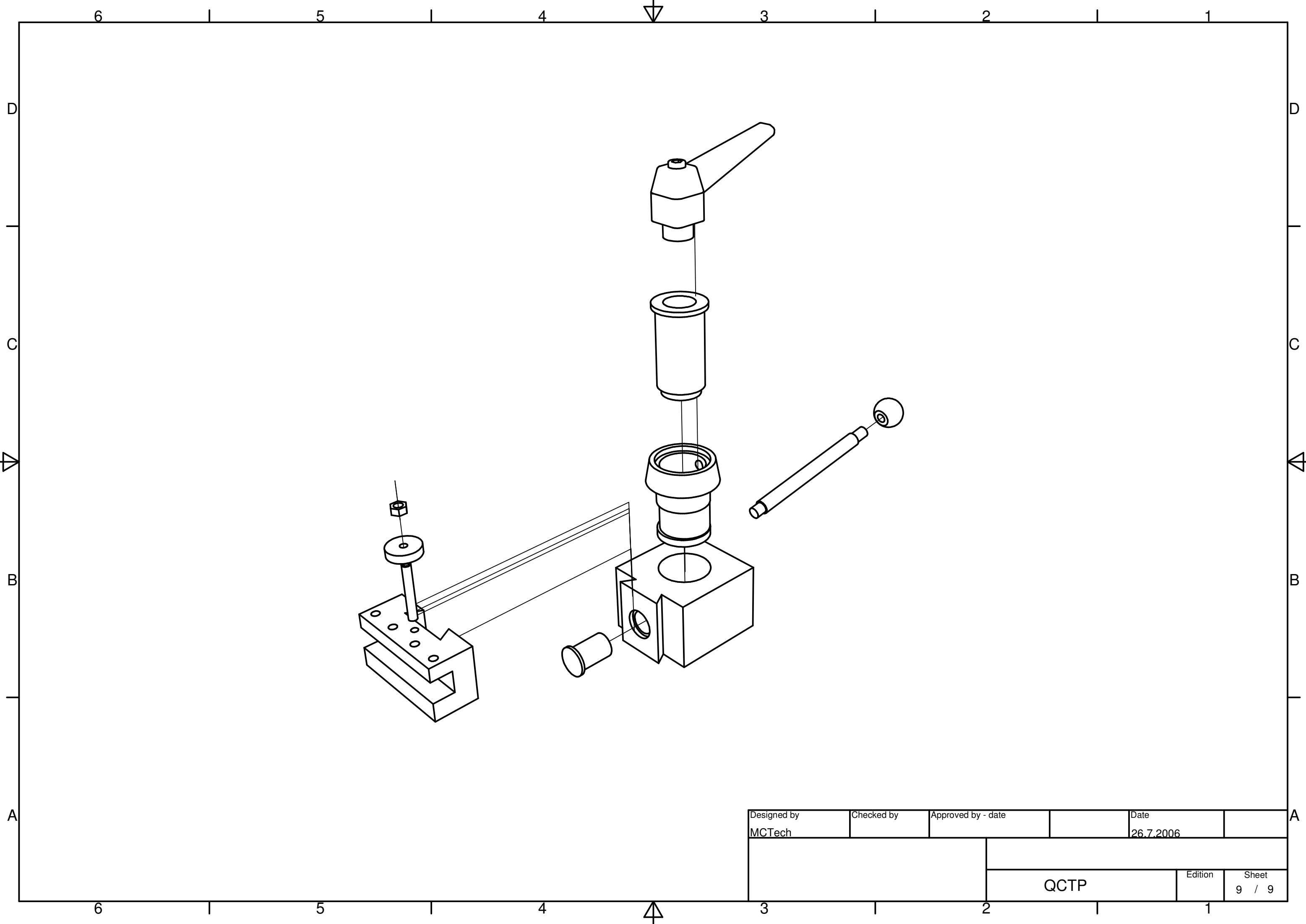


TERÄPIDIN 10MM VARRELLE



Designed by MCTech	Checked by	Approved by - date	Date 26.7.2006
		QCTP	Edition 8 / 9

6 5 4 3 2 1



Designed by MCTech	Checked by	Approved by - date	Date 26.7.2006	
		QCTP		
		Edition	Sheet 9 / 9	