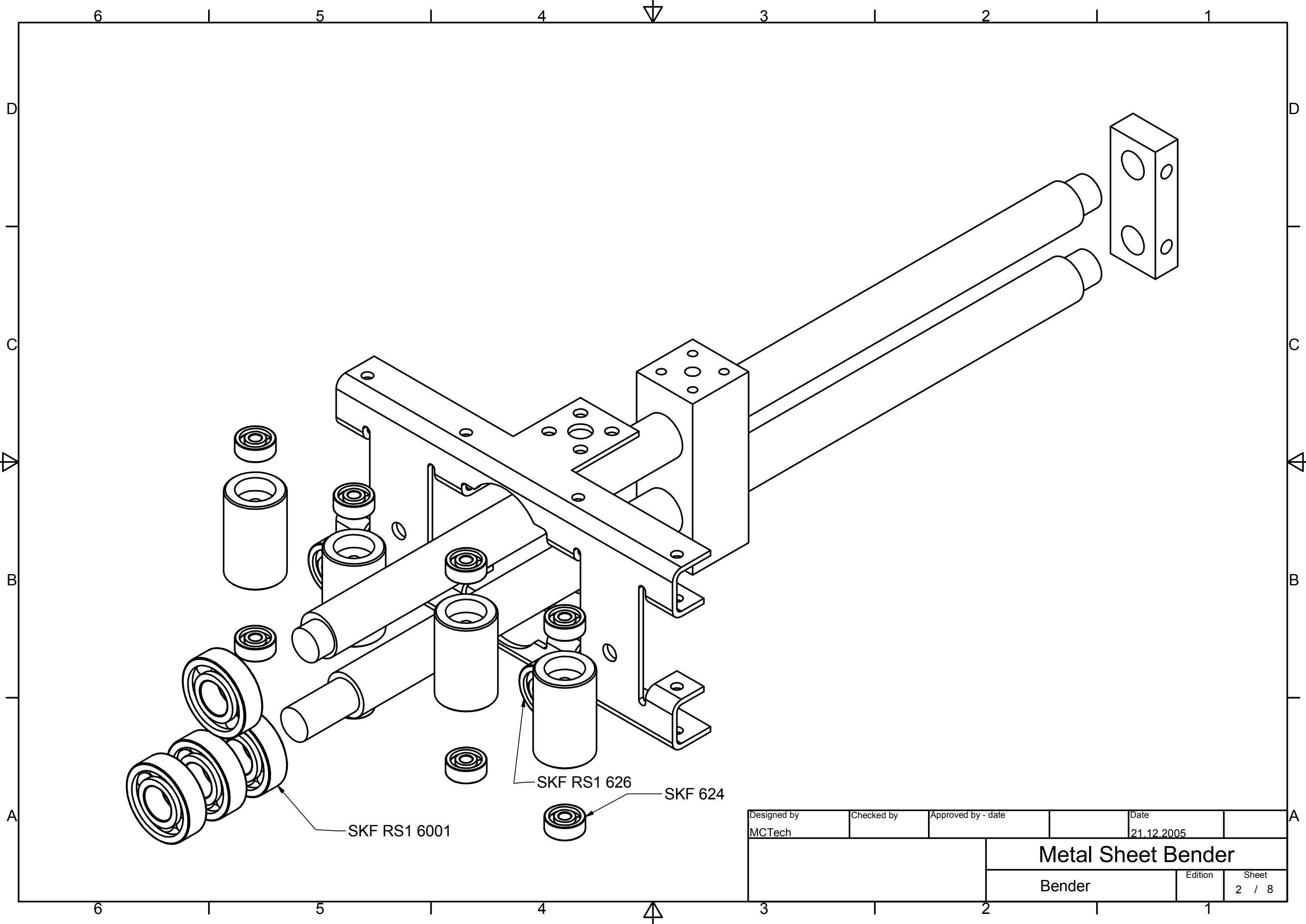


Designed by MCTech	Checked by	Approved by - date	Date 21.12.2005
		Metal Sheet Bender	
		Bender	Edition 1 / 8 Sheet 1 / 8

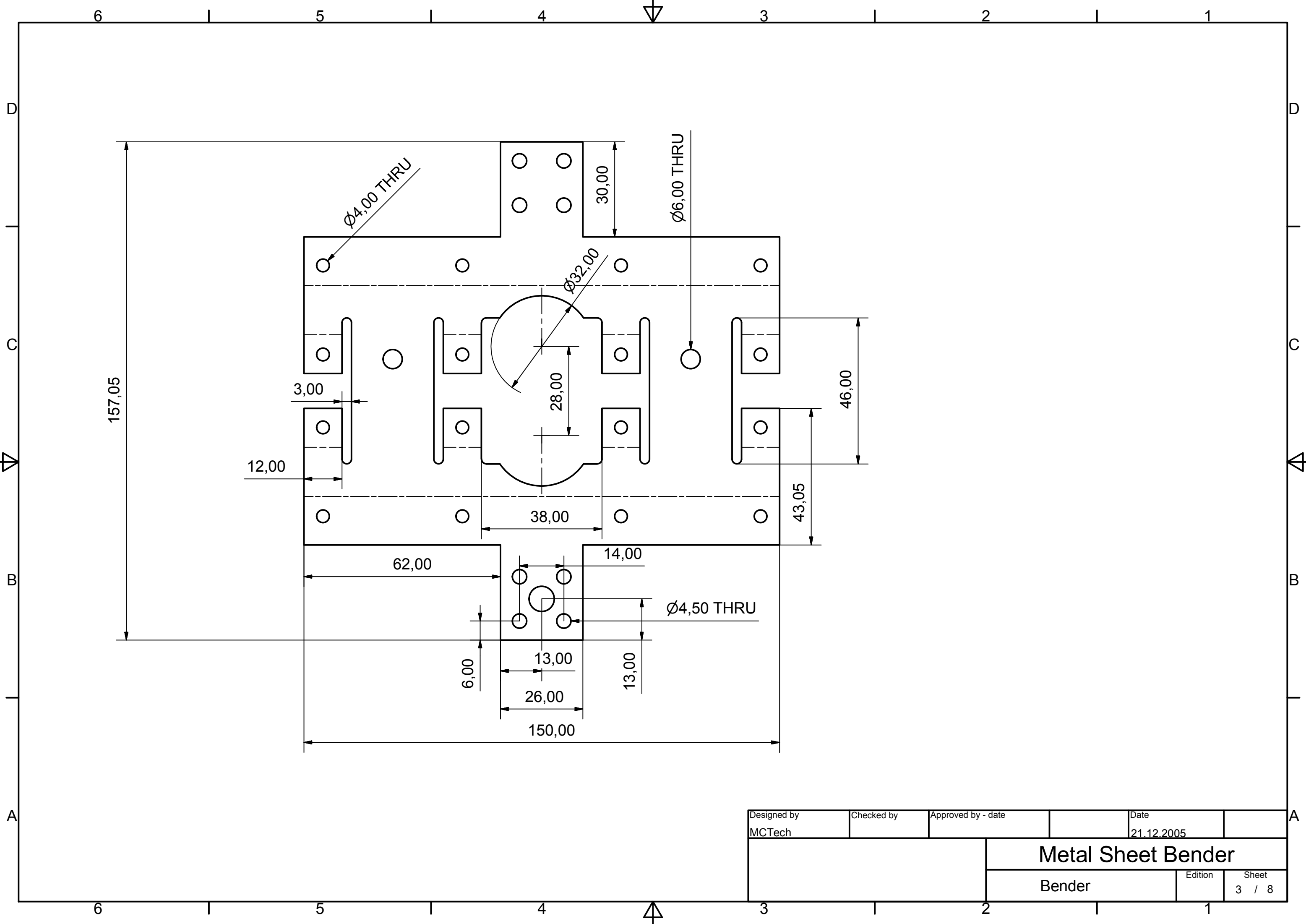


SKF RS1 6001

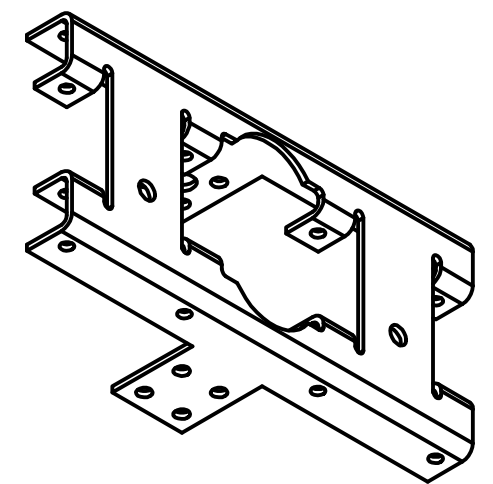
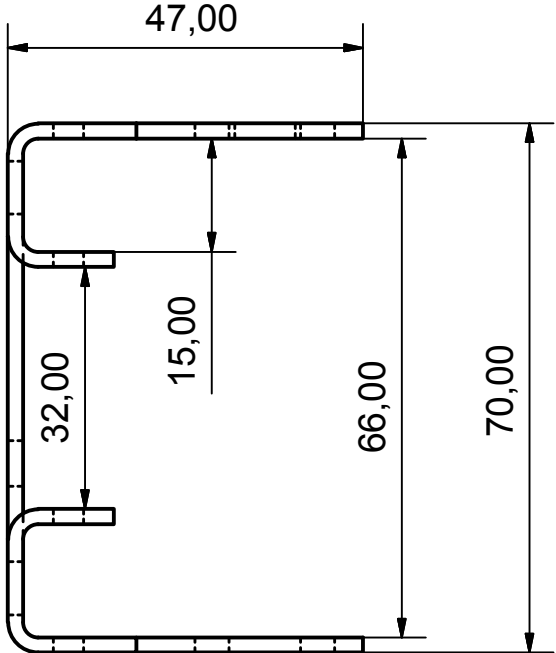
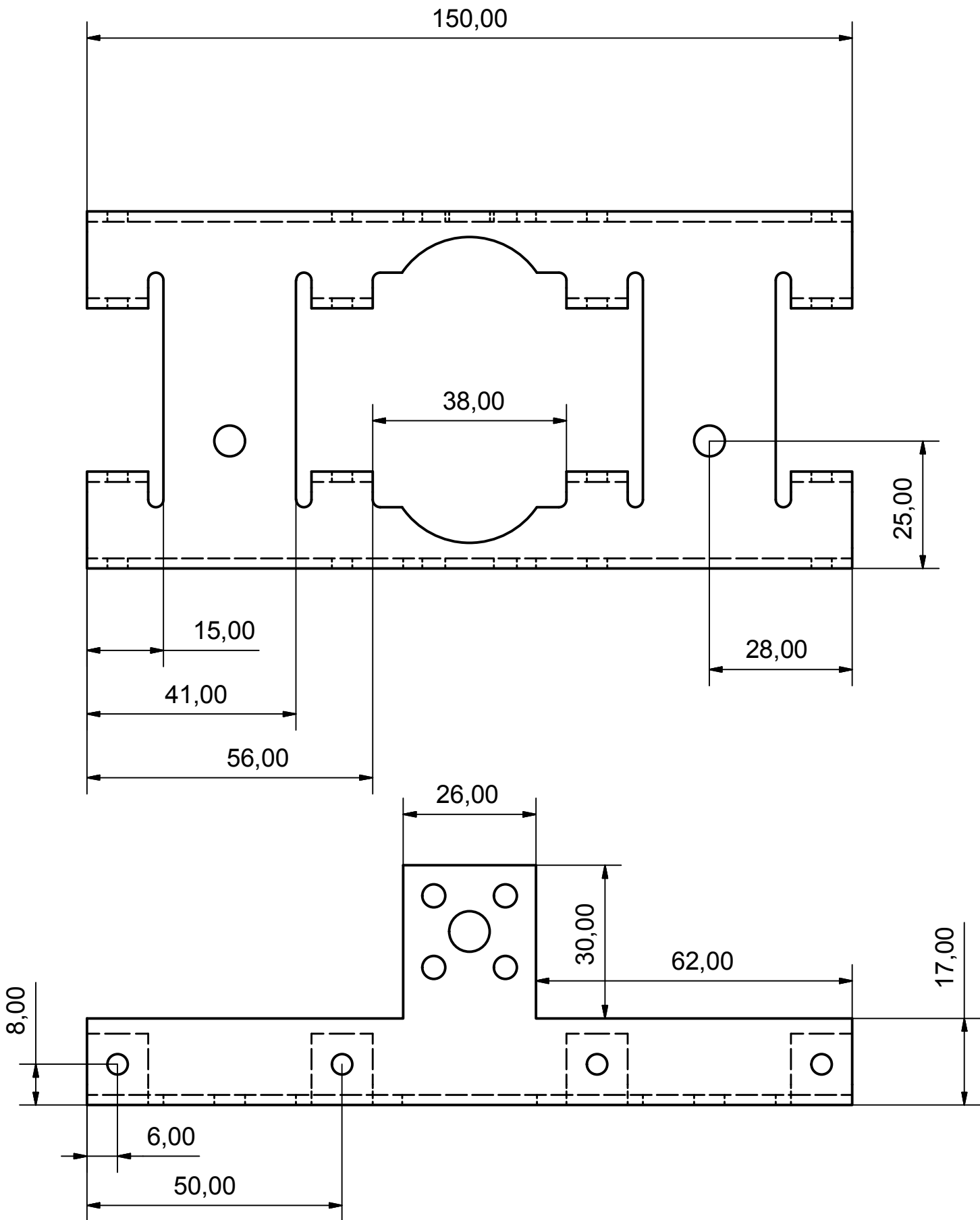
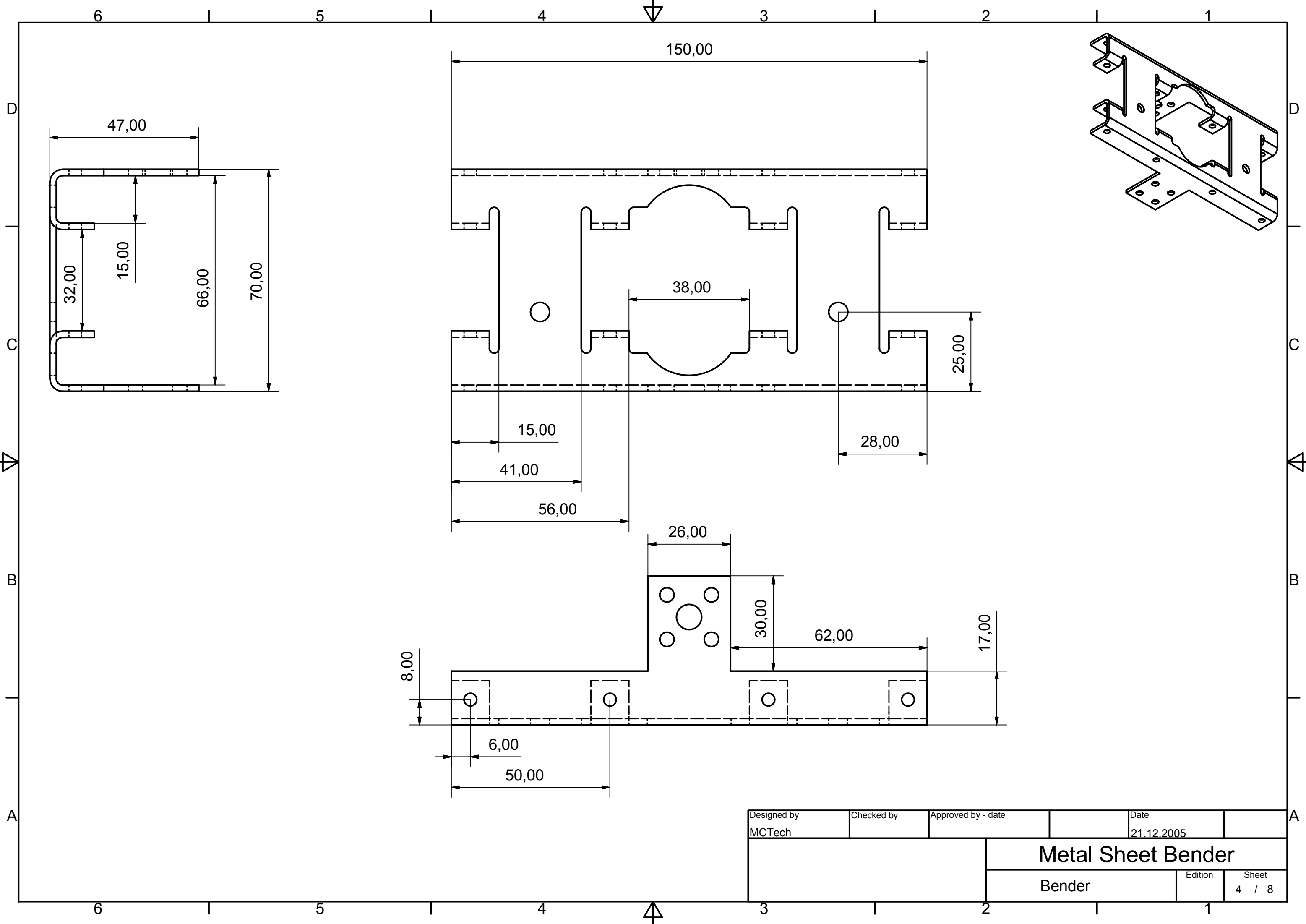
SKF RS1 626

SKF 624

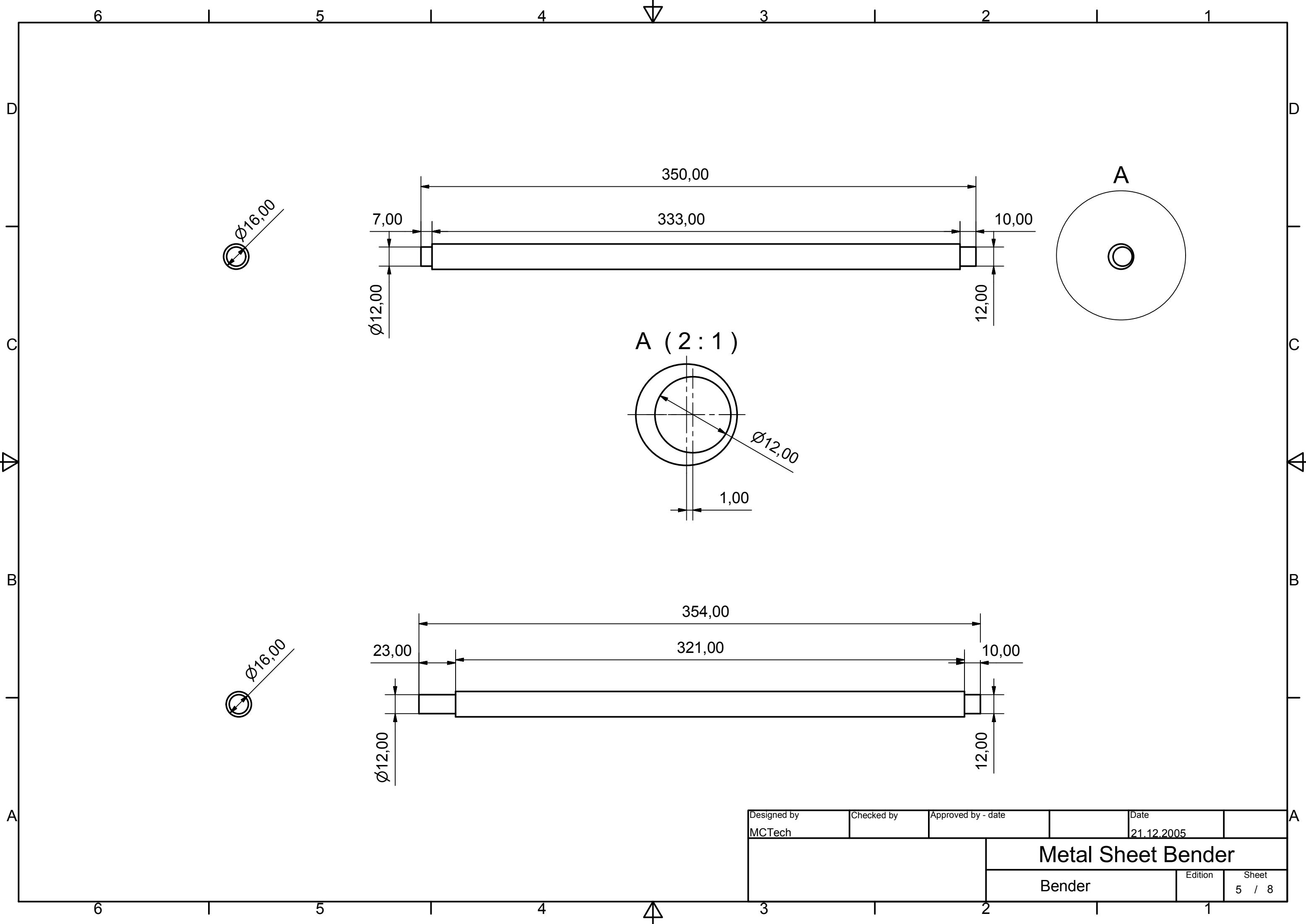
Designed by MCTech	Checked by	Approved by - date	Date 21.12.2005
		Metal Sheet Bender	
		Bender	Edition 2 / 8 Sheet 2 / 8



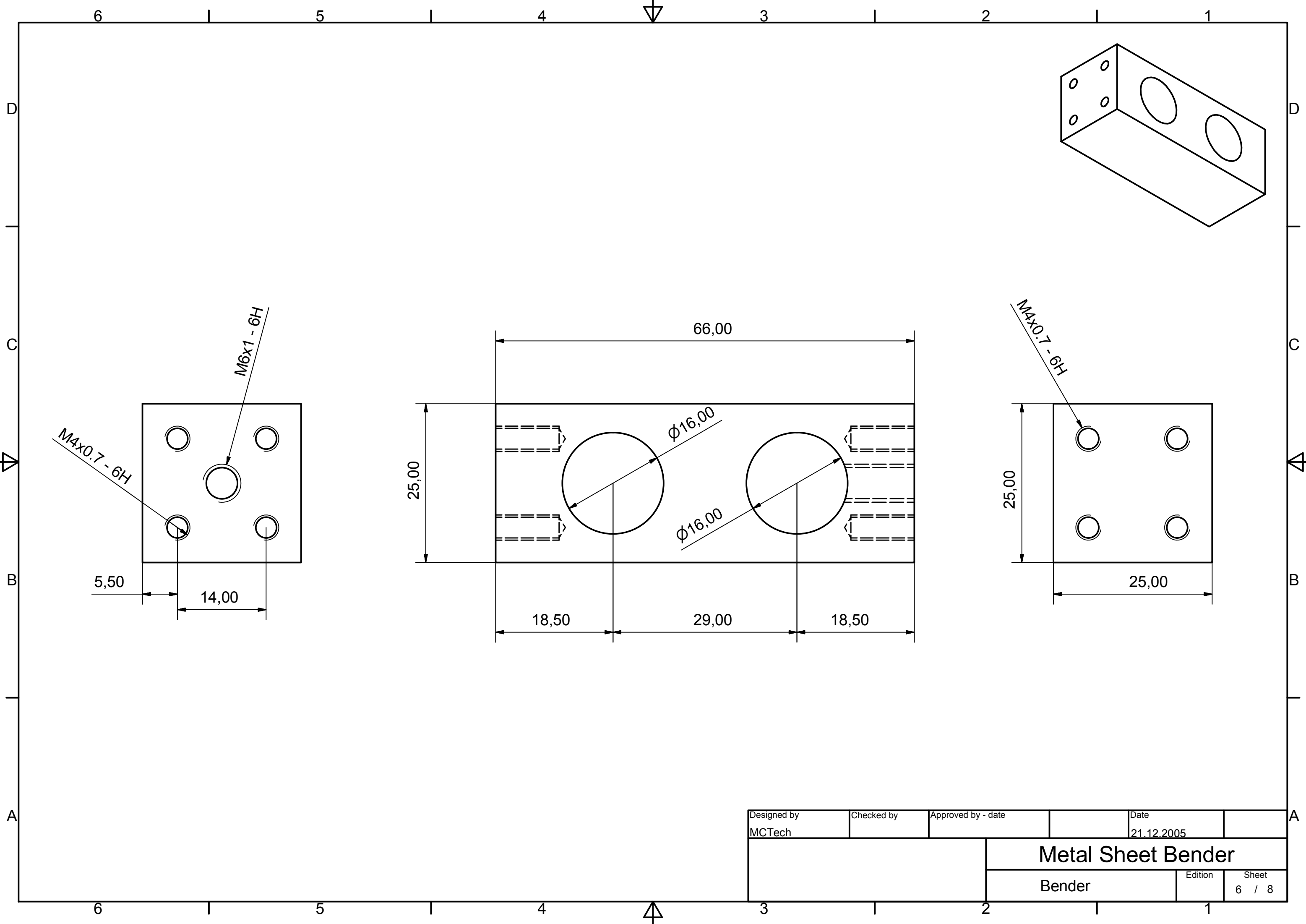
Designed by MCTech	Checked by	Approved by - date	Date 21.12.2005
		Metal Sheet Bender	
		Bender	Edition 3 / 8 Sheet 3 / 8



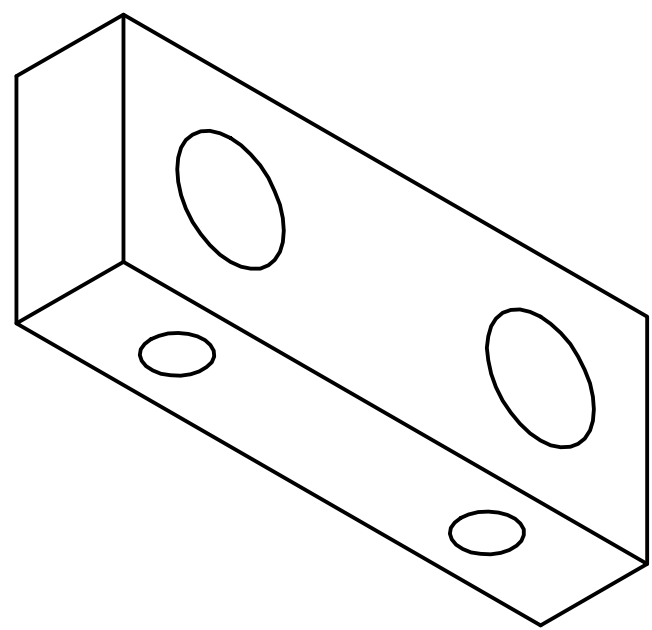
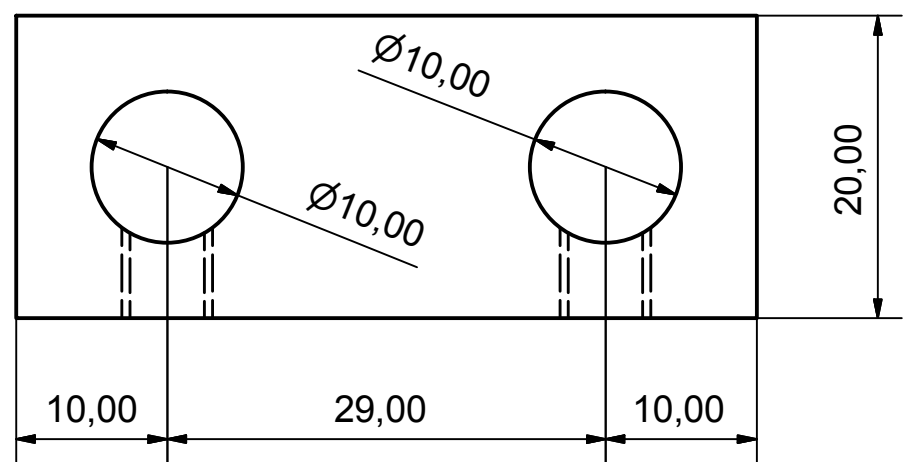
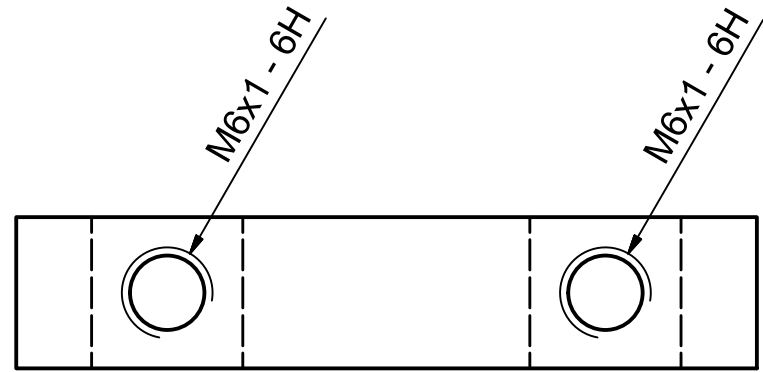
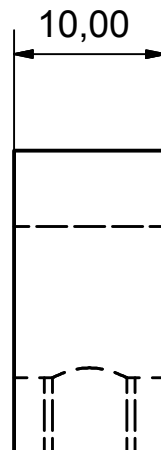
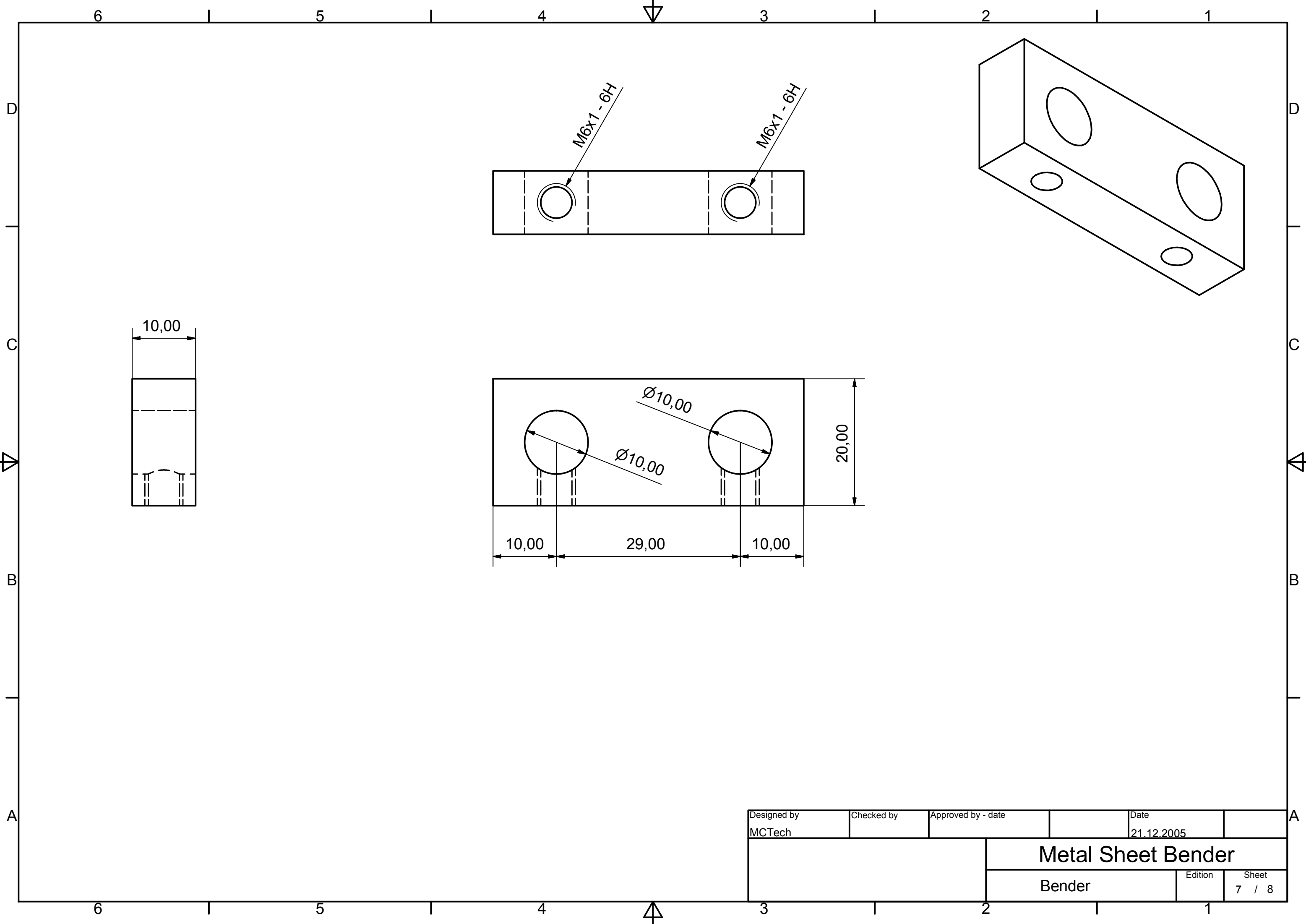
Designed by MCTech	Checked by	Approved by - date	Date 21.12.2005
		Metal Sheet Bender	
		Bender	Edition Sheet 4 / 8



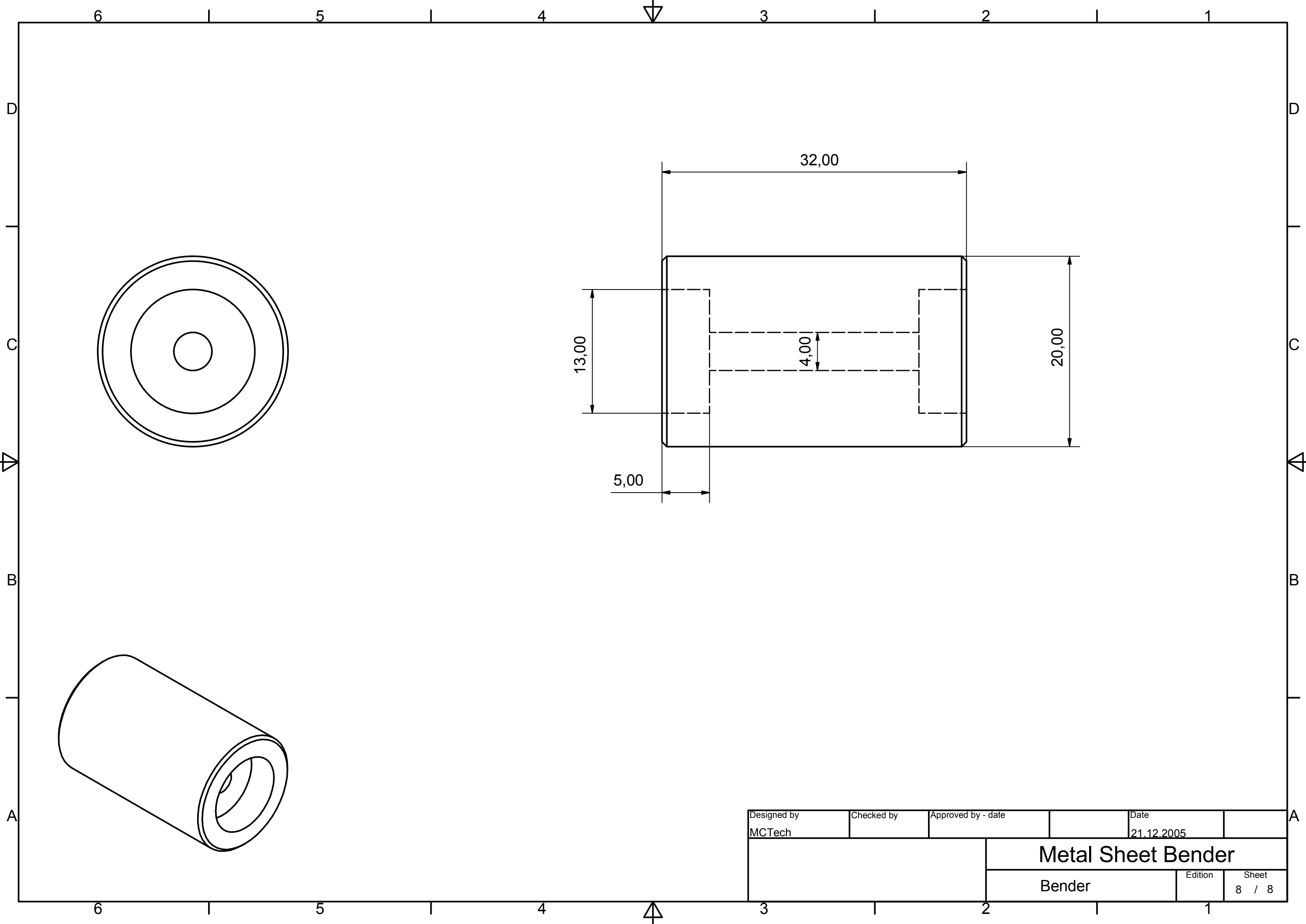
Designed by MCTech	Checked by	Approved by - date	Date 21.12.2005
		Metal Sheet Bender	
		Bender	Edition Sheet 5 / 8



Designed by MCTech	Checked by	Approved by - date	Date 21.12.2005
		Metal Sheet Bender	
		Bender	Edition 6 / 8 Sheet 6 / 8



Designed by MCTech	Checked by	Approved by - date	Date 21.12.2005
		Metal Sheet Bender	
		Bender	Edition Sheet 7 / 8



Designed by MCTech	Checked by	Approved by - date	Date 21.12.2005
		Metal Sheet Bender	
		Bender	Edition 8 / 8 Sheet 8 / 8